

[54] NON-DESTRUCTIVE TESTER FOR TRANSISTORS

[75] Inventors: Grant Carpenter, Christiansburg; Fred C. Lee; Dan Y. Chen, both of Blacksburg, all of Va.

[73] Assignee: Virginia Tech Intellectual Properties, Inc., Blacksburg, Va.

[21] Appl. No.: 179,812

[22] Filed: Apr. 11, 1988

[51] Int. Cl.⁴ G01R 31/26; G01R 1/36

[52] U.S. Cl. 324/158 T; 324/158 D; 324/110

[58] Field of Search 324/158 T, 158 D, 158 R, 324/110; 307/530, 363, 564; 328/9; 361/56, 91

[56] References Cited

U.S. PATENT DOCUMENTS

3,371,276 2/1968 Schiff 324/158 T
3,895,297 7/1975 Jarl 324/158 T

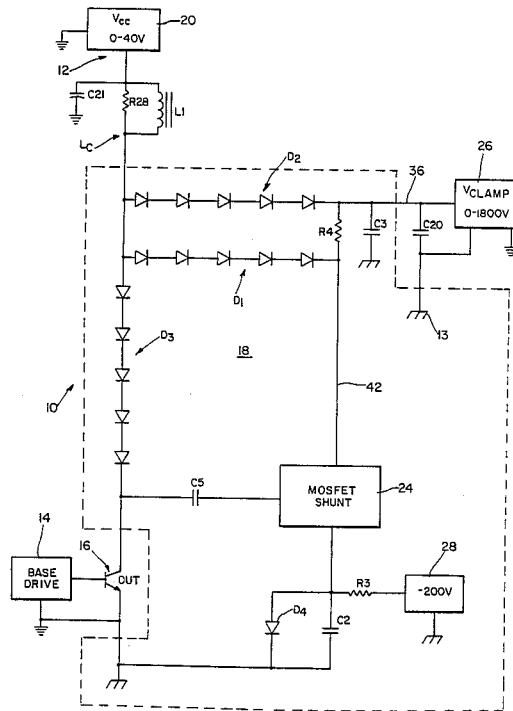
Primary Examiner—Ernest F. Karlson

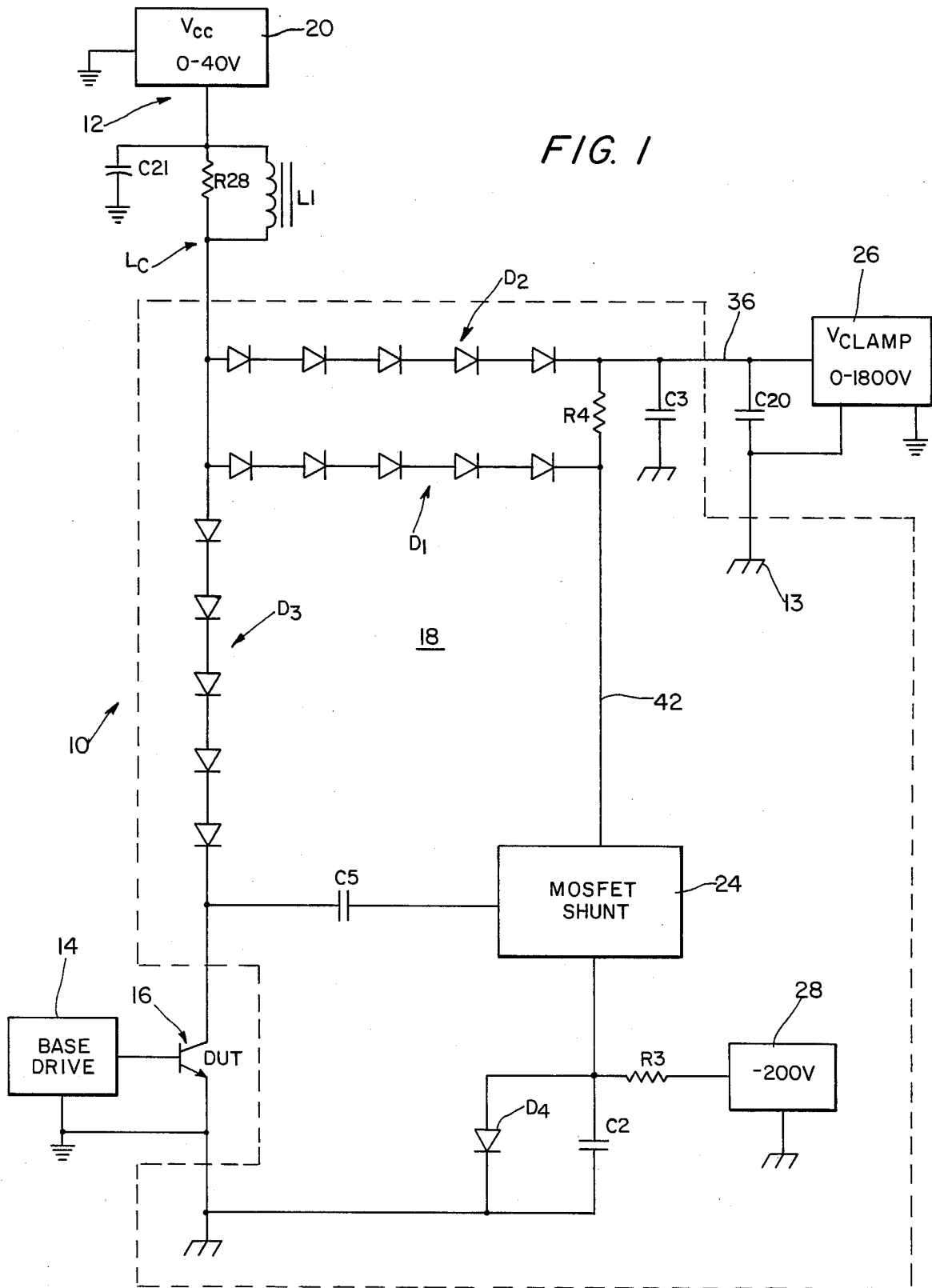
Attorney, Agent, or Firm—Mason, Fenwick & Lawrence

[57] ABSTRACT

A non-destructive reverse-bias second breakdown tester for testing semiconductor devices such as transistors and thyristors that have a base-collector-emitter configuration. The tester basically comprises a socket for holding the device under test. A base drive provides a drive current to the base of the device under test. A collector supply provides a collector current to the device under test. A current diverter diverts current away from the device under test when the device under test experiences reverse-bias second breakdown. The diverter includes first, second and third switches arranged in series. A diode diverter is connected to the current supply and the third switch. A detector produces a first signal at the onset of reverse-bias second breakdown in the device under test. In response to the first signal, the first, second and third switches are activated in seriatim. The activation of all of the first, second and third switches causes the current applied to said device under test to be diverted through said diode diverter and the first, second and third switches.

14 Claims, 6 Drawing Sheets





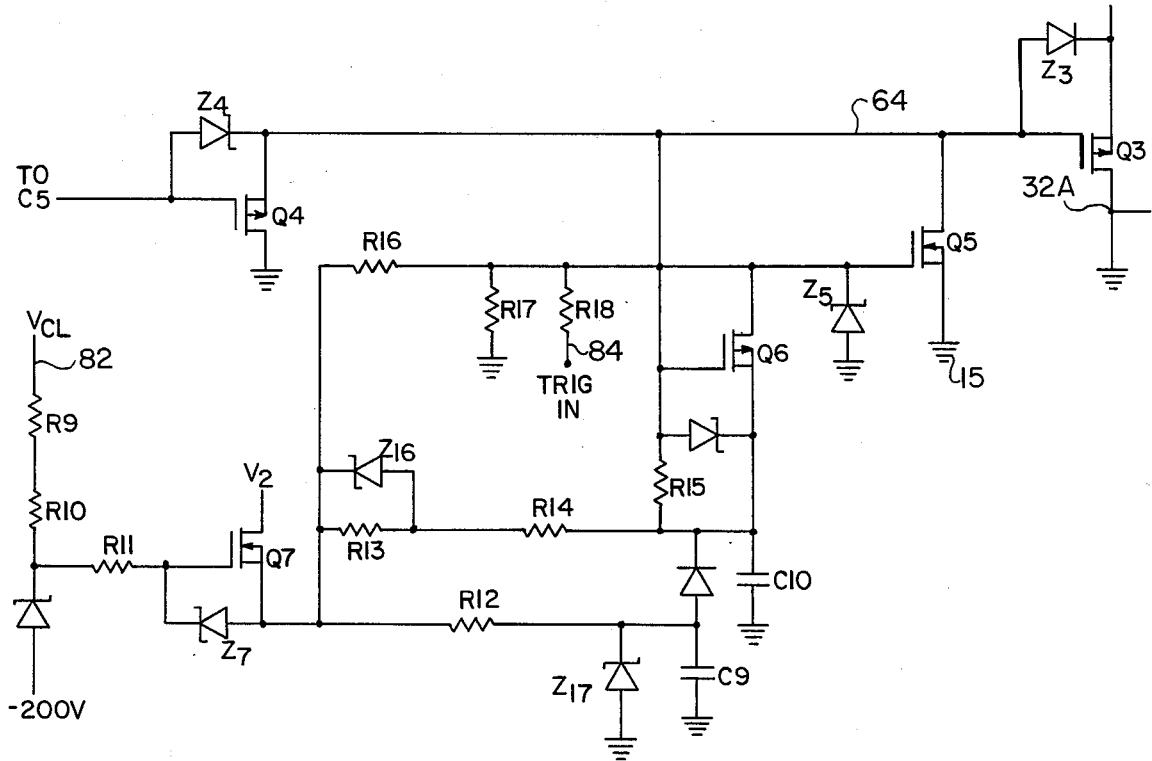


FIG. 5

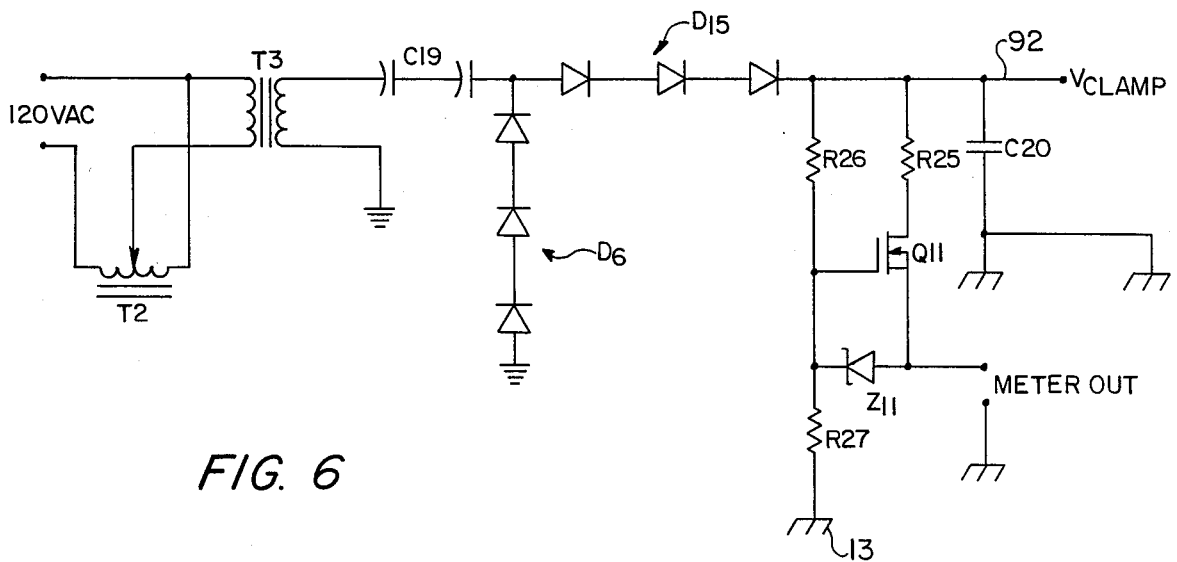


FIG. 6

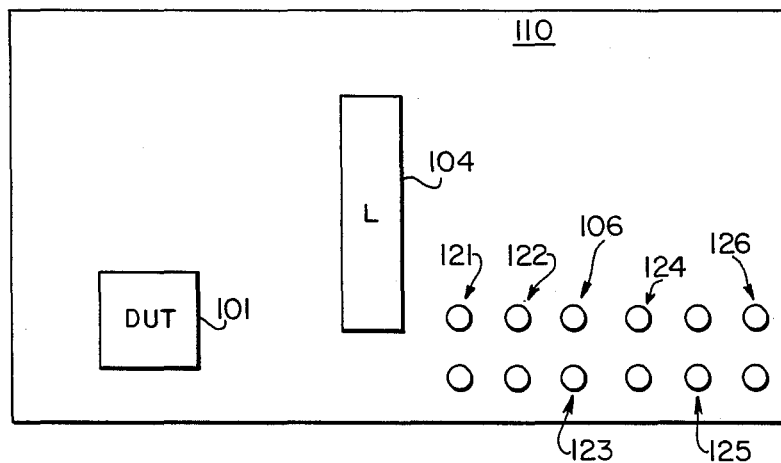


FIG. 7

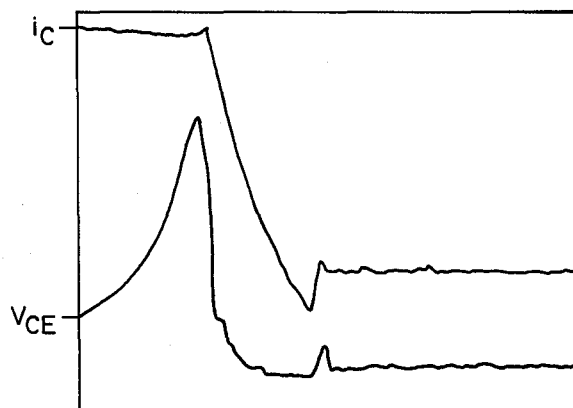


FIG. 8A

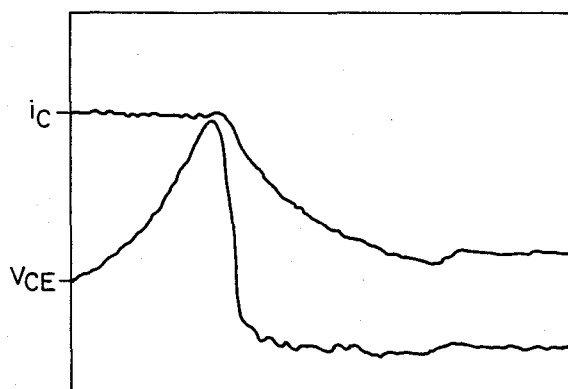


FIG. 8B

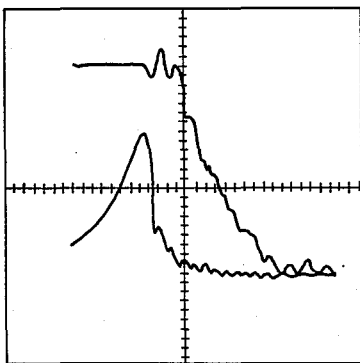


FIG. 9

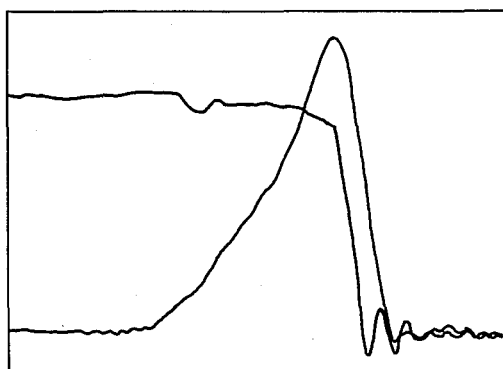


FIG. 10A

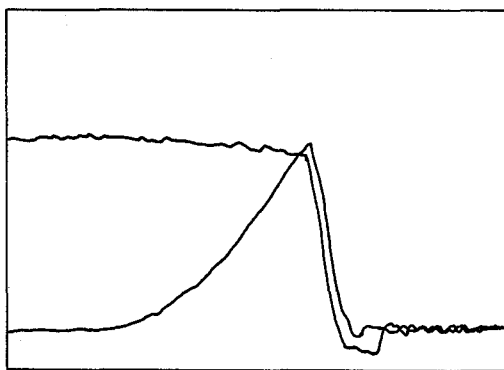


FIG. 10B

NON-DESTRUCTIVE TESTER FOR TRANSISTORS

BACKGROUND OF THE INVENTION

The present invention relates to transistor testers, in general, and to a non-destructive reverse-bias second breakdown tester for transistors, thyristors and the like, in particular.

FIELD OF THE INVENTION

The production and use of high power transistors requires several tests in order to maintain product reliability and quality control. One of the critical tests for bipolar transistors and gate turn-off (GTO) thyristors is reverse-bias second breakdown (RBSB). An objective when testing for second breakdown is to take a device under test into breakdown and save it from destruction so that repeated measurements can be made.

Non-destructive testing is essential for principally two reasons. One is that high power transistors are too expensive to perform destructive testing for RBSB characterization on a statistical basis. More importantly, a non-destructive tester permits investigation of a transistor's RBSB characteristics under various driving conditions using the same transistor. This is especially important, since manufacturing tolerances create situations where the operating characteristics of a particular type of transistor differ from device to device.

The National Bureau of Standards has successfully constructed a reverse-bias second breakdown transistor tester. See, in particular, NBS Special Publication 400-54, March 1979, entitled "Semi-conductor Measurement Technology: A Reverse-bias Safe Operating Area Transistor Tester", written by D. W. Berning. The current capability of the prior art tester built by the National Bureau of Standards was limited to only 30 A. This limitation excludes the use of the tester as a high current power tester for high current power transistors which are currently available through many of the major power device manufacturers in the world such as Westinghouse, General Electric, Motorola, West Code, Fuji, Toshiba, Mitsubishi, Power Transistors, Power Tech and Thompson's CFF, to name a few.

In 1985, under a NASA/Department of Energy contract (NAG 3-99), another prior art non-destructive transistor and GTO reverse base second breakdown tester was devised by the present inventors. See, in particular, the final report entitled "A 100 V, 120 A Nondestructive Reverse Bias Second Breakdown Tester For Bipolar Power Transistors", prepared by Virginia Polytechnic Institute and State University, by F. C. Lee, D. Y. Chen and G. Carpenter on Feb. 11, 1985, and incorporated by reference herein. The tester was capable of handling up to 1,000 V and 120 A, simultaneously. The tester consisted of three basic components: (1) a collector supply; (2) a base drive; and (3) a shunt circuit. The collector supply was a stand-alone, variable 300 V, 100 A conventional unit. One such unit is made by Tektronix under Model No. P5503A. The base drive included the capability of providing a higher base drive output current than found in the National Bureau of Standard's design and the option of two reverse-bias drives for Darlington transistors. The basic shunt circuit increased the speed and power handling capability not found in the National Bureau of Standard's design. This modification provided the test system with the

capacity required to reliably test high power devices at current levels up to 120 A and 1,000 V.

In the prior art tester developed under the NASA/DOE contract, a transistor to be tested is connected in a common emitter configuration with an inductor possessing an inductive current in the collector circuit. When the transistor under test is switched on with a forward bias pulse, the collector current in the transistor rises. When the transistor under test is driven with a turn-off pulse, the collector voltage reaches a high value before there is much reduction in the collector current.

A variable voltage clamp acts to prevent the collector voltage from going above a pre-set voltage level. Once the collector voltage reaches the value of a clamp voltage, the inductive current is diverted from the transistor under test to the clamp supply. The clamp voltage is normally set below device breakdown DC collector-base voltage with the emitter open (BV_{CBO}) to prevent the device from being destroyed. The second breakdown is characterized by a rapid fall in voltage before the collector current reaches zero. Typically, the collector voltage of a transistor may fall about 500 V in 10 to 20 ns. This rapid fall is detected in the tester with a capacitive pick-up that triggers the high speed shunt circuit. This circuit removes the remainder of the energy stored in the inductor and shunts the clamp voltage to a negative power supply. The clamp supply for the transistor under test has an additional diode-resistor-inductor network that allows the clamp voltage to go negative for a short period of time and then decay to zero. This is done to overcome the inductance in the wire that connects the protection circuit to the transistor under test. Several power Schottky diodes are put in series with the collector of the transistor under test to effectively open the collector lead when the clamp voltage is driven negative. When the protection circuit fires, the clamp supply and its voltage supply are turned off. The protection circuit should remove the current from the transistor under test as quickly as possible.

This prior art tester developed under the NASA/DOE contract included an array of 64 vacuum tubes connected in parallel in order to provide 120 A. Vacuum tubes were used because at that time they were the only devices capable of blocking 1200 V and turning on fast enough to do so. However, it was appreciated at that time that a further increase in the number of tubes in parallel would not increase the tester's capability because parasitic inductance associated with the physical size of the tubes limited the time that current could flow from a device under test.

The NASA/DOE non-destructive tester was operated in one mode, a one-shot measurement mode. In the one-shot measurement mode, a manual trigger button was used. The test was executed approximately twenty seconds after the manual trigger button was pressed.

The voltage capability of the prior art NASA/DOE non-destructive tester was limited by the vacuum tube clamp voltage rating of the shunt circuit. 1000 V was the limitation of the tester. The current capacity of the tester depended critically on how fast the collector current of the device under test could be diverted from the device once reverse-bias second breakdown occurred.

In light of current transistor and GTO thyristor designs, there is a need for a new non-destructive reverse-bias second breakdown tester that is capable of operat-

ing with a rating of 1800 V and 300 A. A present invention is directed toward filling that need.

SUMMARY OF THE INVENTION

A preferred embodiment of an non-destructive tester incorporating the teachings of the subject invention basically comprises a collector supply, a base drive for driving the base of a device under test and a current diverter.

The collector supply basically comprises a grounded voltage supply that is adjustable in the 0 to 40 VDC range. The output of the voltage supply is connected to a grounded capacitor and to the parallel arrangement of a resistor and an inductor. The other end of the parallel resistor/inductor arrangement is fed through an assembly of serially connected diodes which are connected to the collector of the device under test (DUT).

The base drive for the DUT provides three independently adjustable current sources; one for the forward base current, another for the reverse base current and a third for the reverse base current of the second base terminal found in some Darlington transistors. The forward base current is adjustable from 1A to 16A and the reverse base current from 2A to 32A. For both reverse drive circuits, a voltage clamp of adjustable magnitude from 0 to -15 VDC is provided. The clamp is used to limit the reverse voltage across the base-emitter junction of the transistor under test.

The current diverter basically comprises a MOSFET shunt circuit that is connected to the collector of the device under test through a capacitor. In turn, the shunt circuit is connected to the collector circuit through an assembly of series connected diodes.

The shunt circuit is also connected to the emitter of the device under test through the parallel arrangement of a diode and a capacitor. The shunt is also connected to a voltage supply through a resistor. The voltage supply provides a -200 VDC output.

In the collector circuit, a series arrangement of a resistor and a capacitor are connected in parallel with the cathode of the first diode and the anode of the last diode in the series diode arrangement that is connected to the collector of the DUT.

Three metal oxide semiconductor field effect transistor (MOSFET) assemblies are connected in series. The gates of the first two MOSFET assemblies are respectively connected to first and second gate drives.

A latch is operably connected to the gate of the third MOSFET assembly. In like manner, the latch is connected to the source of the third transistor assembly to the -200 VDC supply.

Non-destructive second breakdown tests are performed with the base of the DUT connected to the base drive, the collector of the DUT connected to the diode assembly that forms part of the collector circuit and the emitter connected to ground. Forward and reverse base drive conditions were pre-set prior to each test. All tests are single-shot and manually triggered.

During a test, a constant-current forward drive is applied from the base drive to the DUT enabling the collector current to ramp up through the inductor in the collector supply. A constant-current reverse drive is applied following completion of the forward drive to turn off the DUT. Due to inductance, the collector voltage rises to a pre-set clamping supply value or the primary breakdown voltage of the DUT, whichever is lower. Should the DUT enter second breakdown, the collector voltage falls very rapidly, triggering the shunt

circuit. The clamp supply is turned off and the shunt latches on to crowdbar current around the DUT. This sequence of events must occur fast enough, typically less than 50 ns, to save the DUT from destruction.

The operation of the shunt circuit may be described as follows: When second breakdown occurs, a sudden drop of V_{CE} for the DUT turns on a transistor which, in turn, causes the three transistor assemblies to be turned on in series with the current of the DUT being diverted through a diode arrangement associated with the three assemblies and the -200 V power supply.

It is thus a primary object of the present invention to provide a tester for non-destructively evaluating the reverse-bias second breakdown of certain devices under test such as transistors and gate turn-off thyristors.

It is another object of the present invention to provide a non-destructive reverse-bias second breakdown tester having a rated performance of 1800 V and 300 A.

It is yet another object of the present invention to provide a tester that is able to take a transistor under test into breakdown and save it from destruction so that repeated measurements can be made.

It is still another object of the present invention to provide a tester that makes it economically feasible to characterize the breakdown capability of high power transistors and gate turn-off thyristors.

These and other objects and advantages will become apparent when the present invention is considered in light of the following detailed description of with reference to the following drawings.

BRIEF DESCRIPTION OF THE DRAWINGS

FIG. 1 is a schematic block diagram showing the basic elements of a non-destructive tester incorporating the teachings of the present invention.

FIG. 2 is a schematic diagram of a preferred embodiment of the shunt circuit shown in FIG. 1.

FIG. 3 is a schematic diagram of a preferred embodiment of the first gate drive shown in FIG. 2.

FIG. 4 is a schematic diagram of a preferred embodiment of the second gate drive of FIG. 2.

FIG. 5 is a schematic diagram of a preferred embodiment of the latch shown in FIG. 2.

FIG. 6 is a schematic diagram of a preferred embodiment of the voltage clamp power supply shown in FIG. 2.

FIG. 7 is a schematic diagram of a control panel for use in practicing the present invention.

FIGS. 8(A) and 8(B) are waveforms used to explain the operation of the inventive tester.

FIG. 9 is a waveform showing test results on the NASA/DOE prior art testing device.

FIGS. 10(A) and 10(B) are waveforms used to explain the operation of the inventive tester.

DETAILED DESCRIPTION OF THE PREFERRED EMBODIMENTS

In describing the preferred embodiments of the subject invention illustrated in the drawings, specific terminology will be resorted to for the sake of clarity. However, the invention is not intended to be limited to the specific terms so selected, and it is to be understood that each specific term includes all technical equivalents which operate in a similar manner to accomplish a similar purpose.

A preferred embodiment of an non-destructive tester incorporating the teachings of the subject invention is generally shown in FIG. 1. The tester generally desig-

nated as 10 basically comprises a collector circuit 12 including a collector supply 20, a base drive 14 for driving the base of a device under test 16 and a current diverter 18.

The collector supply basically comprises a grounded voltage supply 20 that is adjustable in the 0 to 40 VDC range. The output of the voltage supply is connected to one end of the free end of a grounded capacitor C_{21} and to the parallel arrangement of a resistor R_{28} and an inductor L_1 . The other end of the parallel resistor/inductor arrangement is fed through a series of serially connected diodes D_3 . In a preferred embodiment, there are five diodes similarly connected to each other with the cathode of the first diode in the chain being connected to the collector of the device under test. The reason that there are five diodes is to provide five times the inverse voltage of one diode.

The base drive 14 provides three independently adjustable current sources: One to provide a forward base current; another to provide a reverse base current; and a third to provide a reverse base current for the second base terminal found in some Darlington transistors. The forward base current is adjustable from 1A to 16A and the reverse base currents are from 2A to 32A. For both reverse base current, a voltage clamp of adjustable magnitude from 0 to 15 VDC is provided. The clamp is used to limit the reverse voltage across the base-emitter junction of the transistor under test. An embodiment of a base drive suitable for use in practicing the present invention is the previously identified report entitled "A 100 V, 120 A nondestructive Reverse-Bias Second Breakdown Tester for Bipolar Power Transistors", and incorporated by reference herein.

The current diverter 18 basically comprises a MOSFET shunt circuit 24 which will be described in greater detail hereinafter with regard to FIG. 2. Shunt circuit 24 is connected to the collector of the device under test through capacitor C_5 . In turn, the shunt circuit is connected to the collector circuit through an assembly of series connected diodes D_1 and D_2 with the anode of the last transistor in each series being connected to the parallel arrangement of resistor 28 and inductor L_1 . Five diodes are preferably used in each of the diode arrangements for the same reason as diode arrangement D_3 . The cathode of the first diode of diode arrangement D_1 is connected to the shunt circuit through lead 42 and to one end of a resistor R_4 . The other end of the resistor R_4 is connected to the cathode of the first diode in diode arrangement D_2 and also to one end of a parallel arrangement of capacitors C_3 and C_{20} . In turn, the capacitor C_{20} is placed across the output of a voltage clamp power clamp supply 26 that is adjustable between 0 and 1800 VDC. At this point, it should be noted that in the several drawings Earth ground is noted by the striped arrowhead generally designated 11 and also by the sideways slanted E (designated 13). A common connection, on the other hand, is noted by a vacant triangle 15 (FIG. 2).

Shunt circuit 24 is also connected to the emitter of the device under test through the parallel arrangement of diode D_4 and capacitor C_2 . The shunt is also connected to a voltage supply 28 through resistor R_3 . The voltage supply provides a -200 VDC output.

With reference to FIG. 2, the details of a preferred embodiment of the shunt circuit 24 will now be described.

In the shunt circuit, a series arrangement of resistor R_5 and capacitor C_4 are connected in parallel with the

cathode of the first diode and the anode of the last diode in the series diode arrangement D_3 . In much the same way, a voltage supply 40 provides a clamping voltage to the cathode of the first diode in the series diode arrangement D_2 .

Three metal oxide semiconductor field effect transistor (MOSFET) assemblies Q_1 , Q_2 and Q_3 are connected in series with the drain of assembly Q_1 being connected to the cathode of the first diode in diode arrangement D_1 and the drain of transistor assembly Q_3 being connected through line 32_A to the anode of diode D_4 . The gates of MOSFETs Q_1 and Q_2 are respectively connected to first and second gate drives 44 and 46. The details of these gate drives are shown and will be explained later in connection with FIGS. 3 and 4. A floating voltage source V_1 is formed by capacitor C_8 and diode D_7 to supply gate drives 44 and 46. The transition of V_1 during shunt turn-on provides a trigger signal out through resistor R_8 .

The second gate drive receives a signal on line 52 from a -100 VDC source that passes through diode D_6 . Also connected to line 52 is a capacitor C_7 and one end of a variable resistor R_7 . The other end of the variable resistor is connected to a zener diode Z_{12} . The wiper of variable resistor R_7 is connected through zener diode Z_4 to the gate of MOSFET assembly Q_3 .

The source and gate of MOSFET assembly Q_3 are connected to each other through zener diode Z_3 . A latch 62 is operably connected to the gate of MOSFET Q_3 through line 64 and to the input of the second gate drive 46 through line 66. In like manner, the latch is connected to the drain of transistor Q_3 through line 68 and to the -200 VDC supply via line 70. The gate of transistor Q_3 is connected to the source of MOSFET Q_4 . The gate of transistor Q_4 is connected to capacitor C_5 and to a parallel arrangement of diode D_5 and resistor R_6 which, in turn, is connected to capacitor C_6 .

The elements constituting the -200 VDC and -100 VDC power supply 28 generally comprise a transformer T_1 with the primary of the transformer being connected to a conventional AC source and the secondary of the transformer being connected to a rectifier bridge 70. A capacitor C_1 is arranged in parallel with the output of the bridge. One end of the capacitor provides the -200 VDC output after passing through a resistor R_2 . In like manner, the -100 VDC signal is supplied from the same source by way of the divider arrangement provided through resistor R_1 and zener diode Z_{14} .

FIG. 3 shows a preferred embodiment of the first gate drive 44. Gate drive 44 generally consists of a series arrangement of zener diodes Z_{22} connected in opposition with diode D_{13} between the drain and gate of transistor assembly Q_1 . Also connected between the gate and drain of transistor assembly Q_1 is MOSFET Q_{10} . The gate of transistor Q_{10} is connected to the -100 VDC supply 28 via resistor R_{24} , to the drain of transistor assembly Q_1 through resistor R_{23} and to the source of transistor Q_{10} through zener diode Z_{10} . The drain of transistor Q_{10} is connected to the drain of transistor Q_1 through diode D_{14} .

The gate of transistor Q_1 is connected to one side of capacitor C_{18} , zener diode Z_9 and the source of MOSFET Q_9 . The voltage signal V_1 appearing on line 48 passes through a pair of diodes D_{11} through zener diode Z_{20} and then into the drain of transistor Q_9 . In turn, the drain and source of transistor Q_9 are connected through

resistor R₂₁. The signal on line 48 also passes through capacitor C₁₅.

The gate of transistor Q₉ is connected to the source of transistor assembly Q₁ through a parallel arrangement of capacitors C₁₇ and C₁₆ and zener diode Z₂₁. In the same fashion, the gate of transistor Q₉ is connected to zener diode Z₉ and is also connected to zener diode Z₂₀ through series-connected diode D₁₂ and resistor R₂₂.

FIG. 4 shows a preferred embodiment of the second gate drive 46 and also includes a zener diode arrangement Z₁₉ and diode D₁₀ which generally corresponds to diode arrangement D₁₃ and Z₂₂ that is provided in connection with transistor assembly Q₁. Capacitor C₁₄ is associated with the gate of transistor assembly Q₂ in much the same way as capacitor C₁₈ is associated with the gate of transistor assembly Q₁. Further, the gate of transistor assembly Q₂ receives the voltage signal V₂ on line 52 after passing from the drain to the source of transistor assembly Q₈. The gate of transistor Q₈ is connected to the source of transistor Q₂ through the parallel arrangement of capacitors c₁₂ and c₁₃ and zener diode Z₁₈. The gate also receives voltage signal V₁ after it passes through resistor R₂₀. Finally, the gate and the source of transistor Q₈ are coupled to each other through zener diode Z₈. In like manner, the drain and source of transistor Q₈ are connected to each other through resistor R₁₉. Line 52 is also connected to the capacitor c₁₁.

FIG. 5 is a schematic diagram of a preferred embodiment of the latch 62 generally shown in FIG. 2.

In the latch, the gate of transistor Q₃ is connected to the drain of MOSFET and source of MOSFET Q₄. The gate of transistor Q₃ is also connected to the gate of transistor Q₄ through zener diode Z₄. Likewise, the gate of a MOSFET Q₆ is connected to the gate of transistor Q₃, with the drain of transistor Q₆ being connected to the gate of transistor Q₅ and to diode Z₅. An input trigger signal is passed to the gate of transistor Q₅ through resistor R₁₈ and to the second common connection through resistor R₁₇.

MOSFET Q₇ has its source connected to the drain of transistor Q₆ through resistor R₁₆ and to the source of transistor Q₆ through the arrangement of resistors R₁₂ through R₁₄, the zener diodes Z₁₆ and Z₁₇ and the capacitors C₉ and C₁₀ and diode D₉. The signal appearing on line 82 passes through resistors R₉, R₁₀ and R₁₁ to the gate of transistor Q₇. In like manner, the -200 V signal on line 70 passes through diode zener Z₁₅ and resistor R₁₁ to the gate of transistor Q₇. The source and gate of transistor Q₇ are connected through diode Z₇.

FIG. 6 shows a preferred embodiment of the voltage clamp power supply 40 and basically comprises a variable transformer T₂ connected to the primary winding of a second transformer T₃. The secondary winding of the transformer is connected to a voltage multiplier made up of a series of diodes D₁₅ and D₁₆ after passing through two capacitors C₁₉ in series. In a preferred embodiment, each of the diode arrangements D₁₅ and D₁₆ consists of three serially connected diodes for the purpose of increasing the inverse voltage capability. The output of the first diode in the arrangement D₁₅ provides the V-clamp signal on line 92. The gate and the drain of MOSFET Q₁₁ are respectively connected to line 92 by way of resistors R₂₆ and R₂₅. The gate and source of resistor Q₁₁ are connected together through diode Z₁₁ which, in turn, is connected to ground through resistor R₂₇. Capacitor C₂₀ is connected to line 92 and ground.

In use, non-destructive second breakdown tests are performed with a device under test (DUT) connected as shown in FIG. 1, with the base of the DUT connected to the base drive 14, the collector of the DUT connected to the diode assembly D₃ and capacitor C₅, and the emitter connected to ground. Forward and reverse base drive conditions were preset prior to each test. In a preferred embodiment, all tests are single-shot and manually triggered. However, the testing may be automated through the use of a computer or dedicated logic circuitry for providing the trigger signals.

With reference to FIG. 1, a constant-current forward drive is applied from the base drive 14 to the DUT enabling the collector current to ramp up through inductor L₁. A constant-current reverse drive is applied following completion of the forward drive to turn off the DUT. Due to inductance L₁, the collector voltage rises to a pre-set clamping supply value or the primary breakdown voltage of the DUT, whichever is lower. Should the DUT enter second breakdown, the collector voltage falls very rapidly, triggering the shunt 24 through capacitor C₅. The clamp supply 26 is turned off and the shunt as shown in FIG. 2 causes latch 62 to latch on and crowbar current around the DUT through series-diode D₁ and capacitor C₂. This sequence of events must occur fast enough, typically less than 50 ns, to save the DUT from destruction.

Prior to the activation of shunt circuit 24, capacitor C₂ is charged to -200 VDC through resistor R₃ to provide an initially large current sink. As current flows through the shunt, capacitor C₂ is discharged to the point that diode D₄ conducts until capacitors C₃, C₂₀ and C₂₁ are discharged. The collector supply 20 briefly reverts to a current mode operation until the shunt 24 resets automatically for the next test.

With reference to FIG. 2, the operation of the shunt circuit 24 will be described where transistor assemblies Q₁ and Q₂ are the main MOSFET switches. The DUT is at the bottom left corner of the figure. When second breakdown occurs, a sudden drop of V_{CE} for the DUT turns on transistor Q₄ which, in turn, causes transistor assemblies Q₃, Q₂ and Q₁ to be turned on in series with the current of the DUT being diverted through diode arrangement D₁, transistor assemblies Q₁, Q₂ and Q₃, and the capacitor C₂. Transformer T₁ and rectifier 70 provide a -200 V power supply that speeds up the diversion of current from the DUT to the shunt when second breakdown occurs.

To reduce the parasitic inductance, the physical layout of the shunt circuit elements should be as close as possible. For example, the 30 MOSFETs which are used to form transistor assemblies Q₁ and Q₂ are connected both in series and in parallel to achieve 1800 V, 300 A capability (15 n-channel MOSFETs are connected in parallel for both assembly Q₁ and assembly Q₂). For Q₃, 8 p-channel MOSFETs are connected in parallel. Three series-diode assemblies, D₁, D₂ and D₃, are arranged next to each other and are housed in a DO-4 package to minimize parasitic inductance.

Second breakdown in a bipolar junction transistor (BJT) or a gate turn-off thyristor (GTO) is characterized by a rapid drop in the collector voltage usually in less than 5 ns. This high dv/dt is coupled through capacitor C₅ to turn on the input stage of transistor Q₄. As transistor Q₄ turns on, transistor assemblies Q₃, Q₂ and Q₁ are turned on in sequence. The resulting current flows through transistor assemblies Q₁, Q₂ and Q₃, and capacitor C₂. The main switches as implemented

through transistor assemblies Q_1 and Q_2 block the voltage when the shunt is not conducting. Low voltage transistor Q_3 turns on assembly Q_2 by forcing assembly Q_2 to ground potential. Transistor assembly Q_2 , in turn, forces the source of transistor assembly Q_1 to approximately ground potential and causes assemblies Q_1 and Q_2 to be turned on very rapidly without the problem of voltage sharing commonly associated with serial connection of MOSFETs.

When the drain voltage of transistor assembly Q_2 collapses by approximately 10 VDC, the gate-to-source voltage of transistor assembly Q_1 turns assembly Q_1 on. The voltage sharing between transistor assemblies Q_1 and Q_2 is always in good balance. Resistor R_6 and capacitor C_6 serve as an input terminating network. Diode R_5 shunts any positive charge through capacitor C_5 during the turn-off of the DUT which slows transistor Q_4 at turn on. As with all MOSFETs, transistor Q_4 is protected, gate-to-source, with a transient suppressor, zener diode Z_4 . Resistor R_7 causes transistor Q_4 to reduce the turn-on time in case it is required to turn on. Should the collector voltage of the DUT rise to equal the clamp voltage, diode arrangement D_2 forward conducts to divert the load current to capacitors C_3 and C_{20} . If second breakdown occurs, the shunt 24 turns on, diode arrangement D_1 forward conducts and the load current is diverted through transistor assemblies Q_1 , Q_2 and Q_3 and capacitor C_2 . The potential of the load of inductor L_1 is forced to -200 VDC through the shunt 24 to enhance the speed of current diversion. Diode arrangement D_3 becomes reverse-biased to prevent reverse current through the DUT.

As explained before, FIGS. 3 and 4 present the details of preferred embodiments for the gate-drive circuits 44 and 46 , for transistor assemblies Q_1 and Q_2 , respectively. The input stages of transistors Q_4 and Q_3 are operated in a conventional fashion by switching the gate voltage, with respect to the source, to turn-on the device. The gate of transistor Q_4 is switched by the collector of the DUT and the gate of transistor Q_3 is, in turn, switched by transistor Q_4 . Both transistors Q_3 and Q_4 are configured as saturable source-followers.

The initial switching of transistor assemblies Q_2 and Q_1 is inverted, however, to achieve high-speed series operation. The source of each assembly is switched by the preceding stage while the gate is capacitively coupled to the second common connection. Additional gate-drive circuitry provides a DC bias during steady-state operation.

In the second gate drive, capacitor C_{14} is the initial current source as transistor assembly Q_2 begins turn-on followed by capacitor C_{11} through transistor Q_8 . When the gate-source voltage of Q_2 reaches 14 V, transistor Q_8 turns off and resistor R_{19} acts as a current limiter to zener diode Z_2 , clamping the gate voltage of transistor assembly Q_2 at 15 V. After the shunt resets, transistor Q_8 turns on and the gate of transistor assembly Q_2 is restored to V_2 . Zener diode Z_{19} turns transistor assembly Q_2 on in the event of a drain-to-source over-voltage.

The first gate drive 44 operates in a similar manner with one basic distinction. The first gate drive along with the transistor assembly Q_1 float on the drain voltage of transistor assembly Q_2 . Transistor Q_{10} provides the DC bias while the high-voltage clamping supply is on. Resistors R_{23} and R_{24} act in concert with transistor Q_{10} as a voltage divider to evenly distribute the clamp supply voltage between transistor assemblies Q_1 and Q_2 . At this time, until the shunt turns on, diode arrangement

D_{11} isolates the gate supply, V_1 which floats at 200 VDC above the second common connection to provide an adequate drive to transistor assembly Q_1 .

As explained before, FIG. 5 shows a preferred embodiment for the block LATCH shown in FIG. 2. Transience due to the fall of the collector voltage of the DUT appears at the shunt input through capacitor C_5 and turns transistor Q_4 on and off. When turned on by transistor Q_4 , the latch holds the shunt on, diverting the collector current until the clamp supply is safely discharged. Transistors Q_6 and Q_5 are cross-coupled, gate-to-drain, to form the latch. Transistor Q_5 parallels transistor Q_4 to hold transistor Q_3 on until resetting. To hold the latch on, a bias current flows through transistor Q_7 . When clamping supply V_{OL} drops below 50 VDC with the shunt on, transistor Q_7 cuts off resetting the latch and turning off the shunt.

FIG. 6 shows the circuit diagram for a preferred embodiment of the clamped high-voltage power supply. The variable transformer T_2 is used to vary the supply through the step-up transformer T_3 and multiplier network formed from capacitor C_{19} and diode arrangements D_{15} and D_{16} . Capacitor C_{20} filters the output and provides the energy sink for the clamp. Resistors R_{26} and R_{27} divide the supply output voltage by two for monitoring by an external meter through a buffer formed by MOSFET Q_{11} .

FIG. 7 shows in schematic form the control panel 110 for the inventive tester. The DUT socket or holder is located at the lower left of the panel. Inductor 104 is used as the load for the testing circuit. The series of small knobs 106 at the front of the panel are for adjusting the base drive conditions for the DUT. Starting from the left, the first two knobs 121 are the width control for the forward base current and the next two knobs 122 are the amplitude control for the forward base current. The fifth and sixth knobs 123 are the width control for the reverse base current. The seventh and eighth knobs 124 are for setting the base-emitter clamping voltage. The ninth and tenth knobs 125 are the amplitude control for the reverse base current for the first base drive and the last two knobs 126 are the same amplitude control for the second base drive.

Special care should be taken in making the layout of the base drive circuit to reduce the lead length and inductances of the base circuit loop.

Both transistors and GTOs were used as DUTs to demonstrate the capability of the tester.

The tester can be operated in a one-shot measurement mode. In the one-shot measurement, a manual trigger button is used. The test will execute twenty seconds after the manual trigger button is pressed. A high-speed storage scope is used to capture the one-shot measurement waveform. The results of test examples will be explained as follows.

A Westinghouse transistor (KS621K30-2), (rated 1200 V, 300 A) was tested up to 300 A.

FIGS 8(A) and 8(B) show the waveforms of collector current and collector voltage in a transistor second breakdown test under different circuit conditions with the current (I_c) scale being 100 A per division, the collector emitter voltage (V_{CE}) scale being 200 V per division and the time being 100 ns per division. In FIG. 8(A), the collector peak current (I_{CP}) of a DUT is 300 A. The forward base current (I_{BF}) of the device under test is 4 A with the reverse base current (I_{DR}) being 16 A. The inductance is 20 microhenrys and the V clamp

voltage is 1200 VDC. For the device in FIG. 8(B), the ICP is 200 A, the IBF is 8 A and the IDR is 16 A. The inductance is 20 microhenrys and the V clamp voltage is 1200 VDC.

In the figure, as soon as the DUT is turned off, V_{CE} for the DUT rises until second breakdown occurs. When breakdown occurs, V_{CE} drops very rapidly which triggers the shunt circuit in the current diverter and removes the collector current from the DUT. This sequence of events is completed within a very short period of time and the DUT is saved from destruction. In FIG. 8(A), second breakdown occurred at approximately 1000 V. FIG. 8(B) shows the waveforms for a 300 A test in which second breakdown occurred at 920 V.

FIG. 9 shows similar test waveforms obtained in the old vacuum tube RBSOA tester constructed under NASA Contract NAG-99 completed in Feb. 1985. In this test, the peak collector current was 95 A compared to 200 A in FIG. 8(A). There is a very significant improvement in the new tester with respect to tester response time as explained in the following. Referring to FIG. 9, it is noted that there are significant delays between the V_{CE} waveform and the i_c waveform. From the waveform, i_c starts to decline 60 ns after the occurrence of second breakdown. Of the 60 ns delay, 30 ns is due to the inherent delay of the current probe. There is still 30 ns, a very significant delay during which high power dissipation occurs in a localized area of the transistor chip. After the delay, approximately 210 ns elapsed before the collector current (95 A) was completely diverted into the shunt. Compared to the waveforms obtained in the new tester, only 130 ns were needed to divert a 200 A current. The declining rate of device current of the new tester is approximately three times faster than that of the old tester. This is because of the much smaller, parasitic, loop inductance achieved in a smaller-size MOSFET shunt circuit. More importantly, the delay time is nearly unnoticed in the waveform in the new tester. As a result of the fast turn-on and the small parasitic inductance of the shunt circuit, the new tester is capable of non-destructive RBSOA testing up to 300 A, 1800 V.

Two GTO types were tested. They were Hitachi's GFF 90 B (rated 600 V, 90 A) and International Rectifier 160 PFT 120 (rated 1200 V, 160 A). FIGS. 10 (A) and 10(B) show the waveforms.

In FIGS. 10(A) and 10(B), the time scale is 100 ns per division. In FIG. 10 (A), when testing the Hitachi GTO, the current scale is 10 A per division and the voltage scale is 100 V per division. The anode current (I_A) of the DUT is 50 A peak. The forward gate current (I_{GF}) of the DUT is 1 A and the reverse gate current (I_{GR}) of the DUT is 30 A. In FIG. 10 (B), when testing the International Rectifier GTO, the current scale is 40 A per division and the voltage scale is 200 V per division. The conditions were changed so that the anode current I_A is 160 A peak, the I_{GF} is 2 A and the I_{GR} is 120 A.

From these tests it is clear that GTO second breakdown phenomenon is very similar to second breakdown in a bi-polar transistor.

From the above, it is apparent that many modifications and variations of the present invention are possible in light of the above teachings. It is therefore to be understood that, within the scope of the appended claims, the invention may be practiced otherwise than as specifically described.

What is claimed is:

1. A non-destructive tester for testing semiconductor devices that have a base-collector-emitter configuration, said tester comprising:

- holding means for holding the device under test;
- base drive means for providing a drive current to the base of the device under test;
- collector supply means for providing a collector current to the device under test;
- current diverting means for diverting current away from said device under test when said device under test experiences reverse-bias second breakdown, said diverting means comprising:
 - first, second and third switch means arranged in series;
 - diode diverting means connected to said current supply means and said third switch means;
- detecting means for producing a first signal at the onset of reverse-bias second breakdown in the device under test; and
- means for activating said first, second and third switch means in seriatim in response to said first signal, the activation of all of said first, second and third switch means for causing the current applied to said device under test to be diverted through said diode diverting means and said first, second and third switch means.

2. The tester of claim 1, wherein said second and third switch means each comprise a plurality of MOSFETs arranged in parallel.

3. The tester of claim 2, wherein said plurality of MOSFETs is 15.

4. The tester of claim 2, wherein said first switch means is a first MOSFET.

5. The tester of claim 4, wherein said first switch means is turned on in response to said first signal being applied to the base of said first MOSFET; said second switch means is activated by the activation of said first switch means causing the MOSFETs constituting said second switch means to attain ground potential, and said third switch means is activated by the activation of said second switch means causing the MOSFETs constituting said third switch means to attain ground potential.

6. The tester of claim 1, wherein said current supply means comprises an adjustable voltage supply the output of which passes through an inductive load and through a capacitor, said capacitor acting as a current source in response to being charged by said voltage supply.

7. The tester of claim 1, wherein said detector means comprises capacitor means connected to the collector of the device under test, and fourth switch means, said capacitor means responding to a rapid drop in collector voltage taking place when said device under test experiences to onset of reverse-bias second breakdown for activating said fourth switch means, the activating of said fourth switch means producing said first signal.

8. A current diverting circuit for use in non-destructive testing of semiconductor devices that have a base-collector-emitter configuration and receive base and collector currents during testing, said current diverting circuit comprising:

- first, second and third switch means arranged in series;
- diode diverting means connected to said collector of the device under test and to said third switch means;

13

detecting means for producing a first signal at the onset of reverse-bias second breakdown in the device under test; and

means for activating said first, second and third switch means in seriatim in response to said first signal, the activation of all of said first, second and third switch means for causing the current applied to said device under test to be diverted through said diode diverting means and said first, second and third switch means.

9. The current diverting circuit of claim 8, wherein said second and third switch means each comprise a plurality of MOSFETs arranged in parallel.

10. The current diverting circuit of claim 9, wherein said plurality of MOSFETs is 15.

11. The current diverting circuit of claim 9, wherein said first switch means is a first MOSFET.

12. The current diverting circuit of claim 11, wherein said first switch means is turned on in response to said first signal being applied to the base of said first MOSFET; said second switch means is activated by the activation of said first switch means causing the MOSFETs

14

constituting said second switch means to attain ground potential, and said third switch means is activated by the activation of said second switch means causing the MOSFETs constituting said third switch means to attain ground potential.

13. The current diverting circuit of claim 8, wherein said current supply means comprises adjustable voltage supply the output of which passes through an inductive load and through a capacitor, said capacitor acting as a current source in response to being charged by said voltage supply.

14. The current diverting circuit of claim 8, wherein said detector means comprises capacitor means connected to the collector of the device under test, and fourth switch means, said capacitor means responding to a rapid drop in collector voltage taking place when said device under test experiences to onset of reverse-bias second breakdown for activating said fourth switch means, the activating of said fourth switch means producing said first signal.

* * * * *

25

30

35

40

45

50

55

60

65