



US006349044B1

(12) **United States Patent**
Canales-Abarca et al.

(10) **Patent No.:** **US 6,349,044 B1**

(45) **Date of Patent:** **Feb. 19, 2002**

(54) **ZERO VOLTAGE ZERO CURRENT THREE LEVEL DC-DC CONVERTER**

(75) Inventors: **Francisco Canales-Abarca; Peter M. Barbosa; Fred C. Lee**, all of Blacksburg, VA (US)

(73) Assignee: **Virginia Tech Intellectual Properties, Inc.**, Blacksburg, VA (US)

(*) Notice: Subject to any disclaimer, the term of this patent is extended or adjusted under 35 U.S.C. 154(b) by 0 days.

(21) Appl. No.: **09/657,782**

(22) Filed: **Sep. 8, 2000**

Related U.S. Application Data

(60) Provisional application No. 60/152,953, filed on Sep. 9, 1999.

(51) **Int. Cl.**⁷ **H02M 3/335; H02M 7/538; H02H 7/122**

(52) **U.S. Cl.** **363/17; 363/25; 363/56.05; 363/56.08; 363/134**

(58) **Field of Search** **363/17, 24, 25, 363/56.02, 56.05, 56.07, 56.08, 132, 134**

(56) **References Cited**

U.S. PATENT DOCUMENTS

5,781,419	A	*	7/1998	Kutkut et al.	363/17
5,808,879	A	*	9/1998	Liu et al.	363/17
5,999,424	A	*	12/1999	Schutten et al.	363/52
6,055,161	A	*	4/2000	Church et al.	363/22
6,064,580	A	*	5/2000	Watanabe et al.	363/17
6,069,798	A	*	5/2000	Liu	363/16
6,191,960	B1	*	2/2001	Fraidlin et al.	363/25
6,208,529	B1	*	3/2001	Davidson	363/17
6,215,683	B1	*	4/2001	Mao	363/142

* cited by examiner

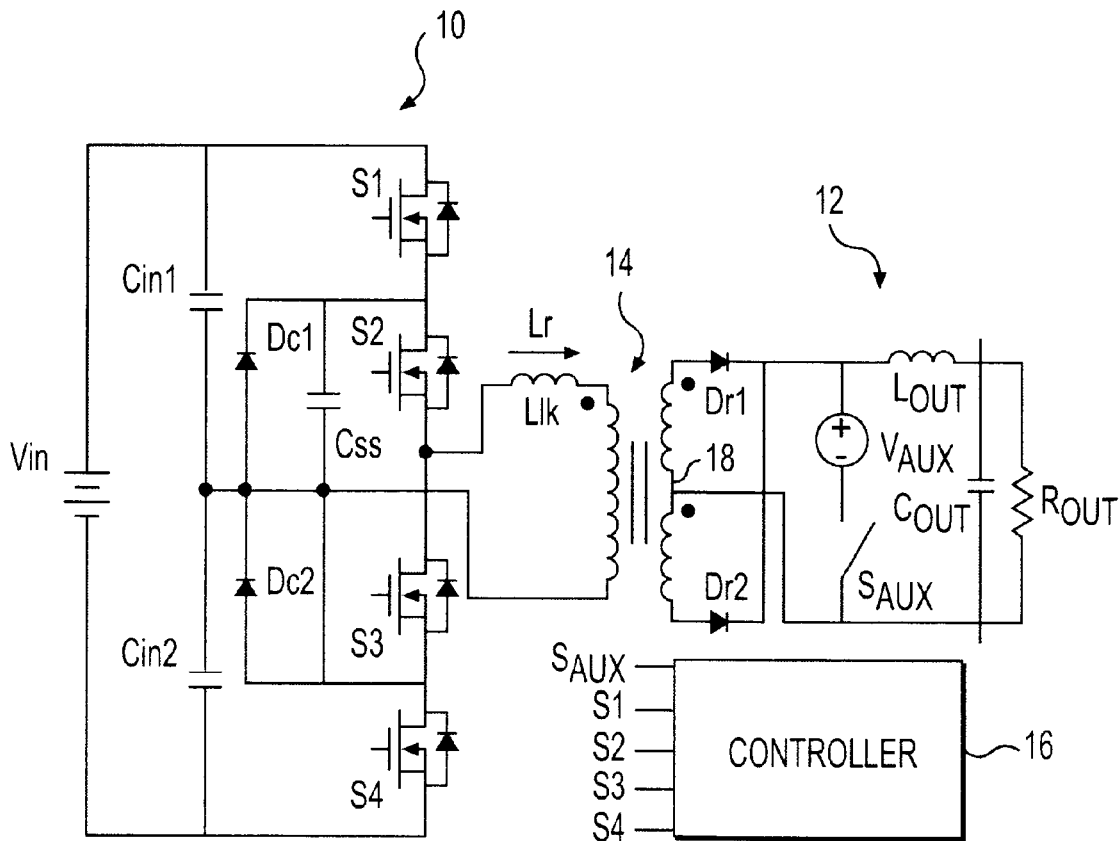
Primary Examiner—Bao Q. Vu

(74) *Attorney, Agent, or Firm*—Whitman, Curtis & Christofferson, P.C.

(57) **ABSTRACT**

A three-level DC-to-DC converter is provided having zero-voltage and zero-current switching (ZVZCS). A flying capacitor is provided on the primary side of the converter to achieve zero voltage switching (ZVS). In addition, during freewheeling (i.e., when no power is being transferred from the primary side to the secondary side), an auxiliary power source is provided to eliminate the circulating energy and to achieve zero current switching (ZCS) for the commutation switches.

10 Claims, 6 Drawing Sheets



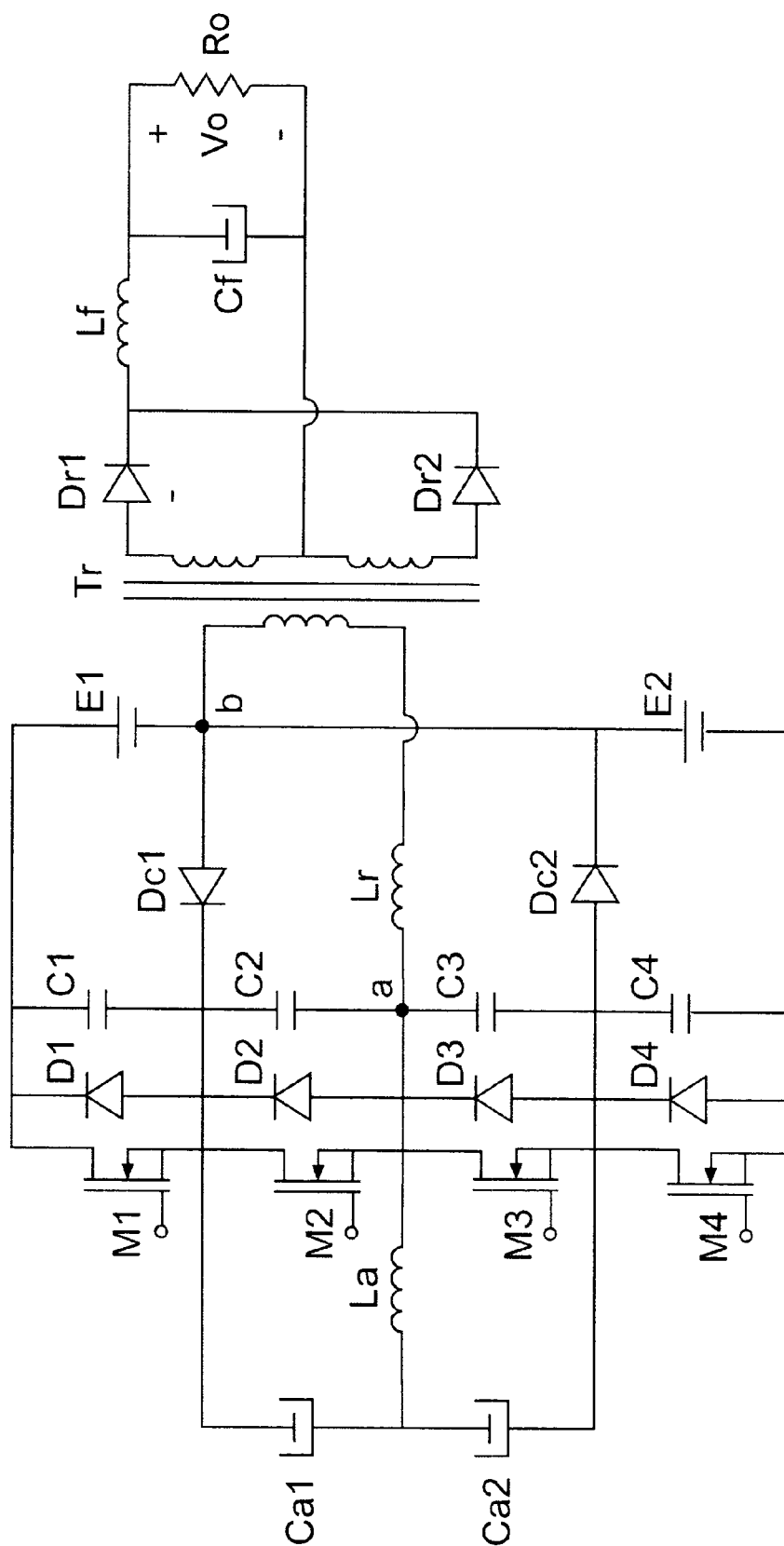


FIG. 1
(PRIOR ART)

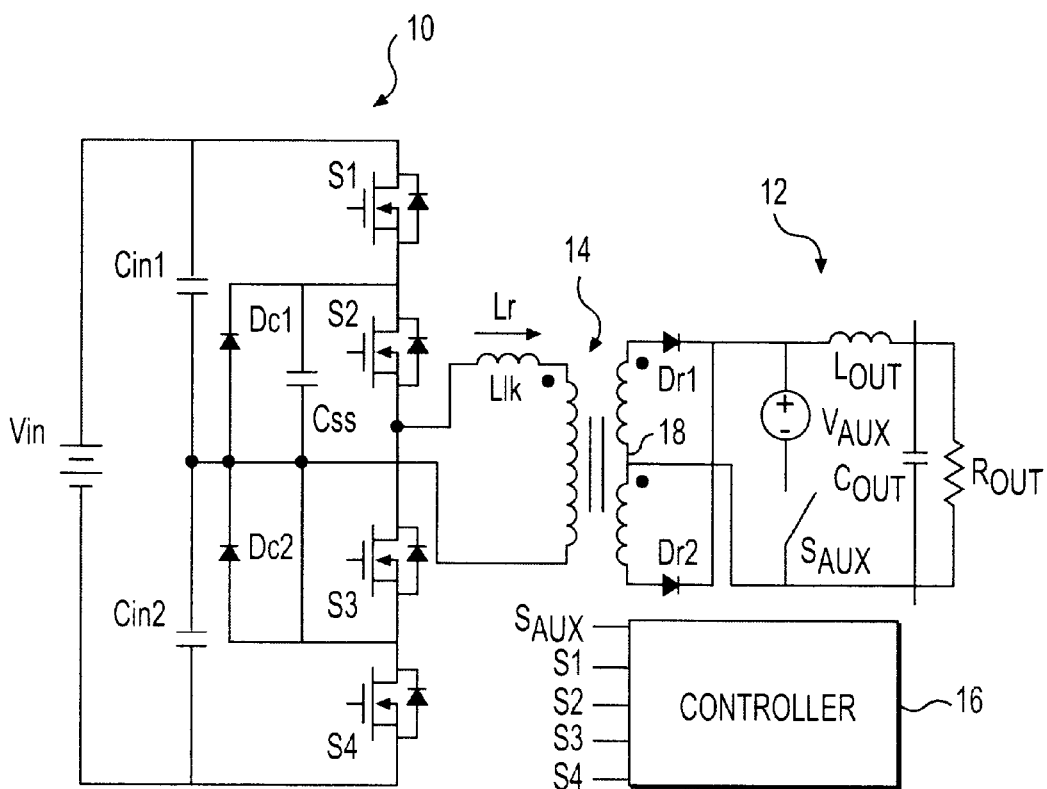


FIG. 2A

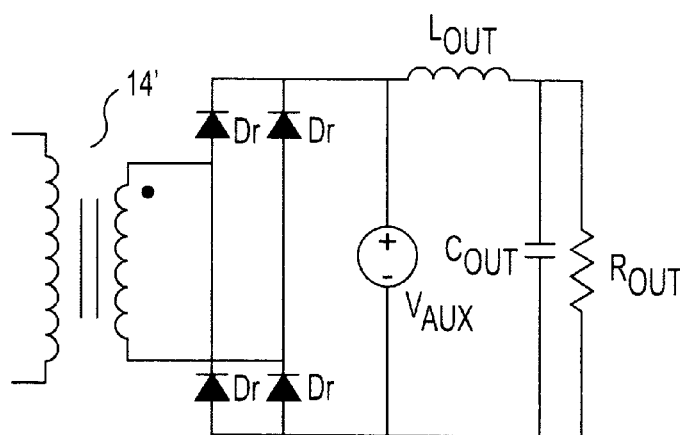
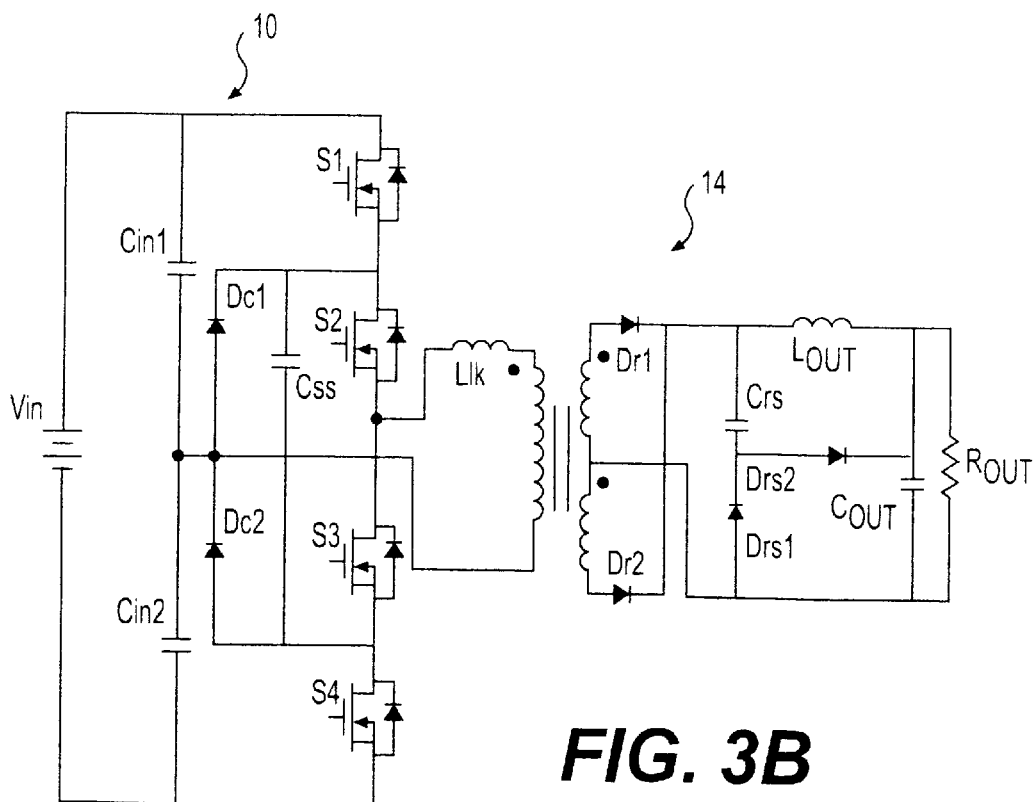
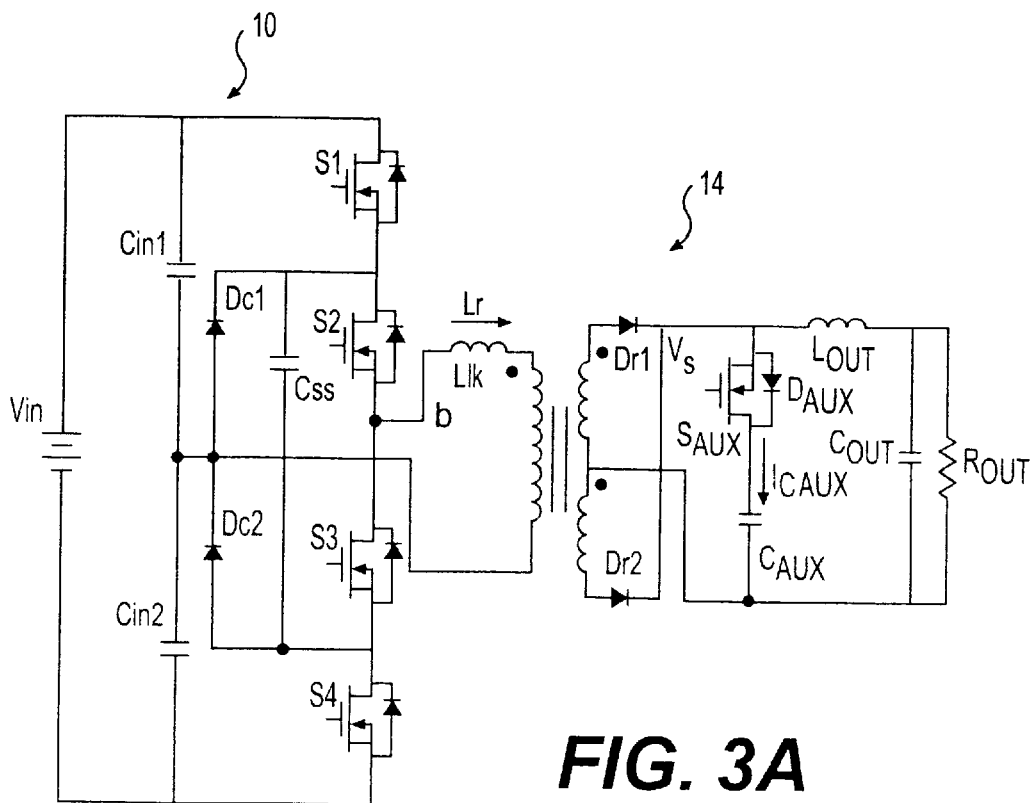


FIG. 2B



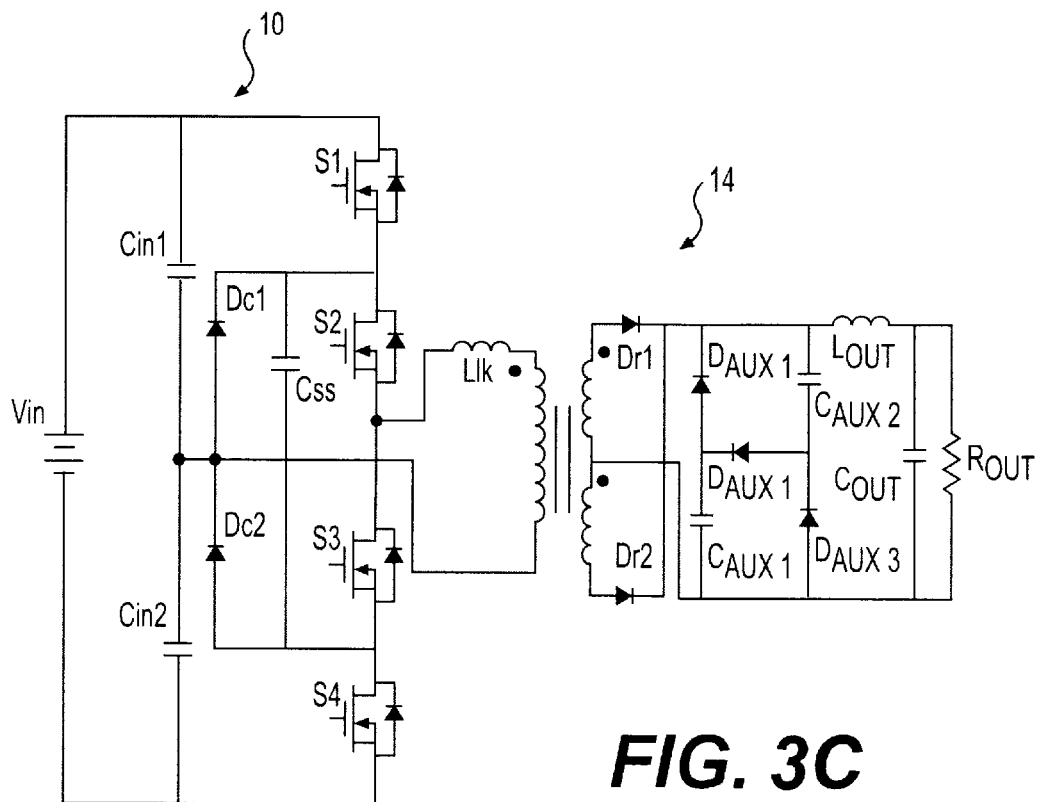


FIG. 3C

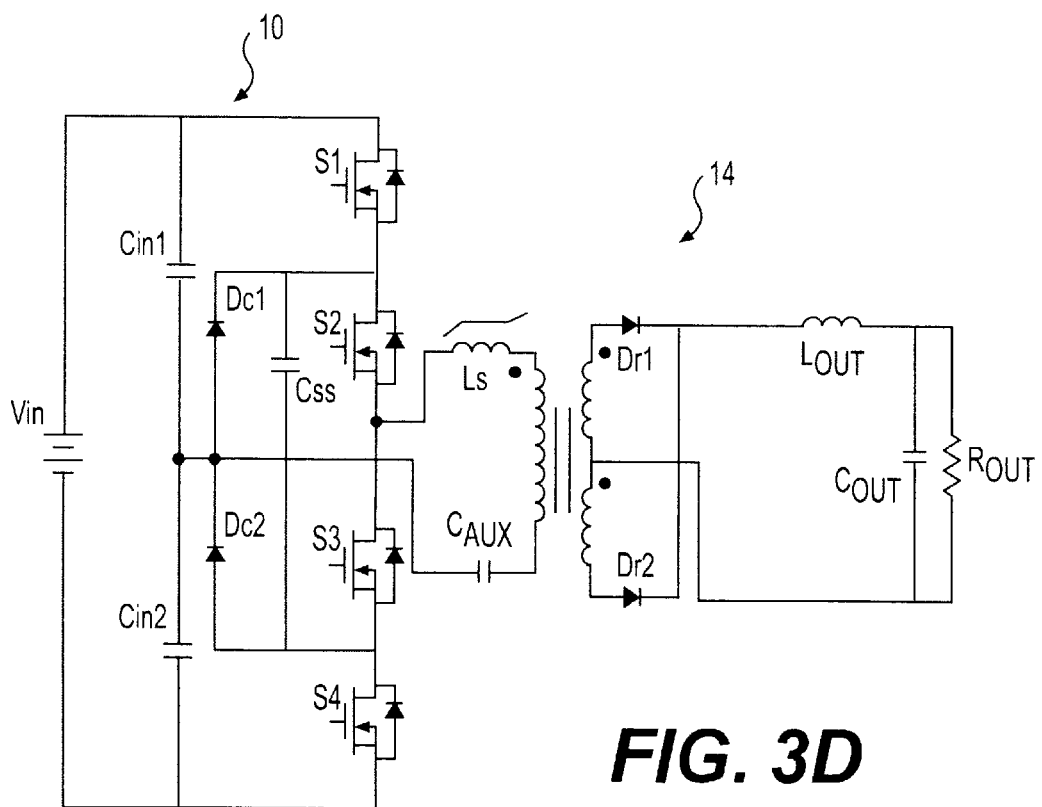


FIG. 3D

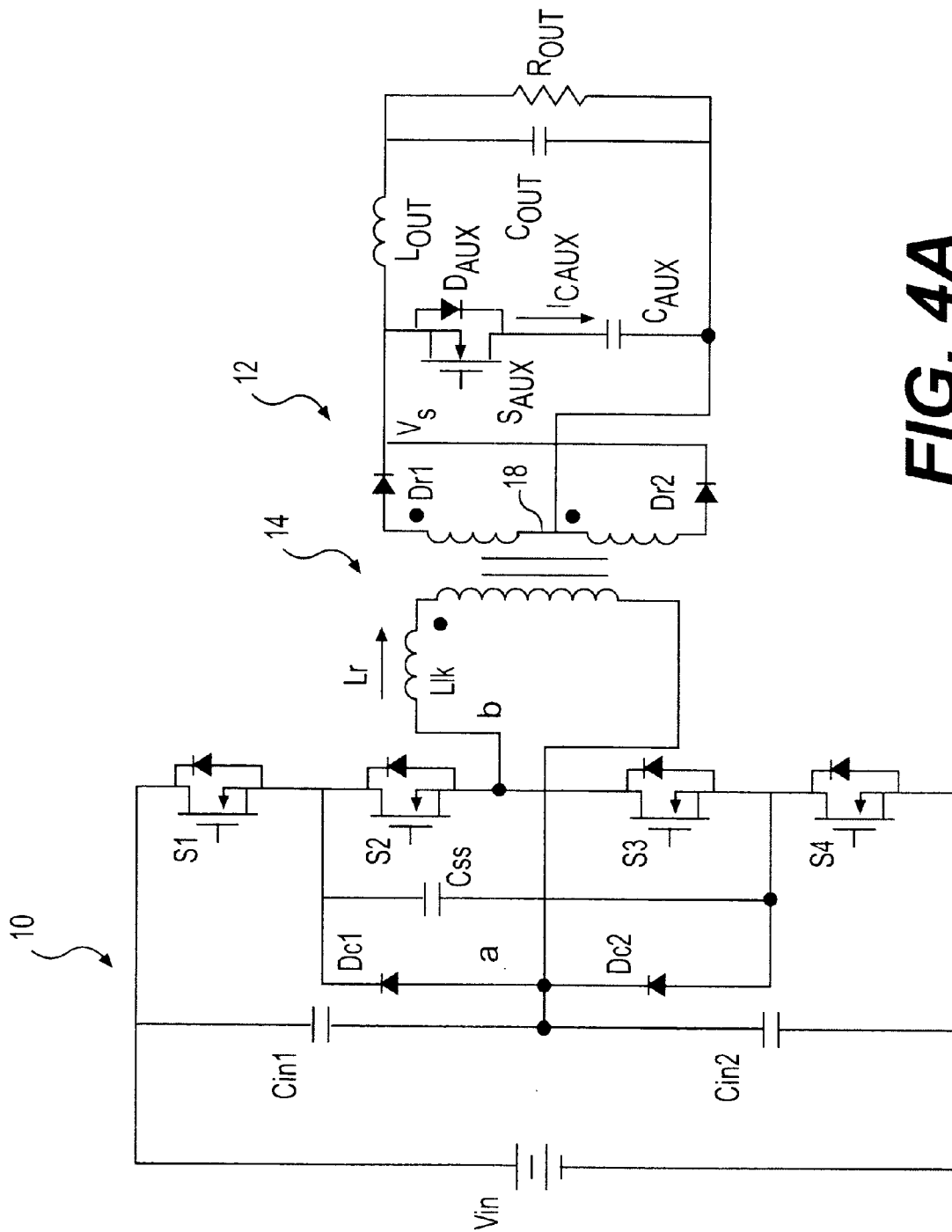


FIG. 4A

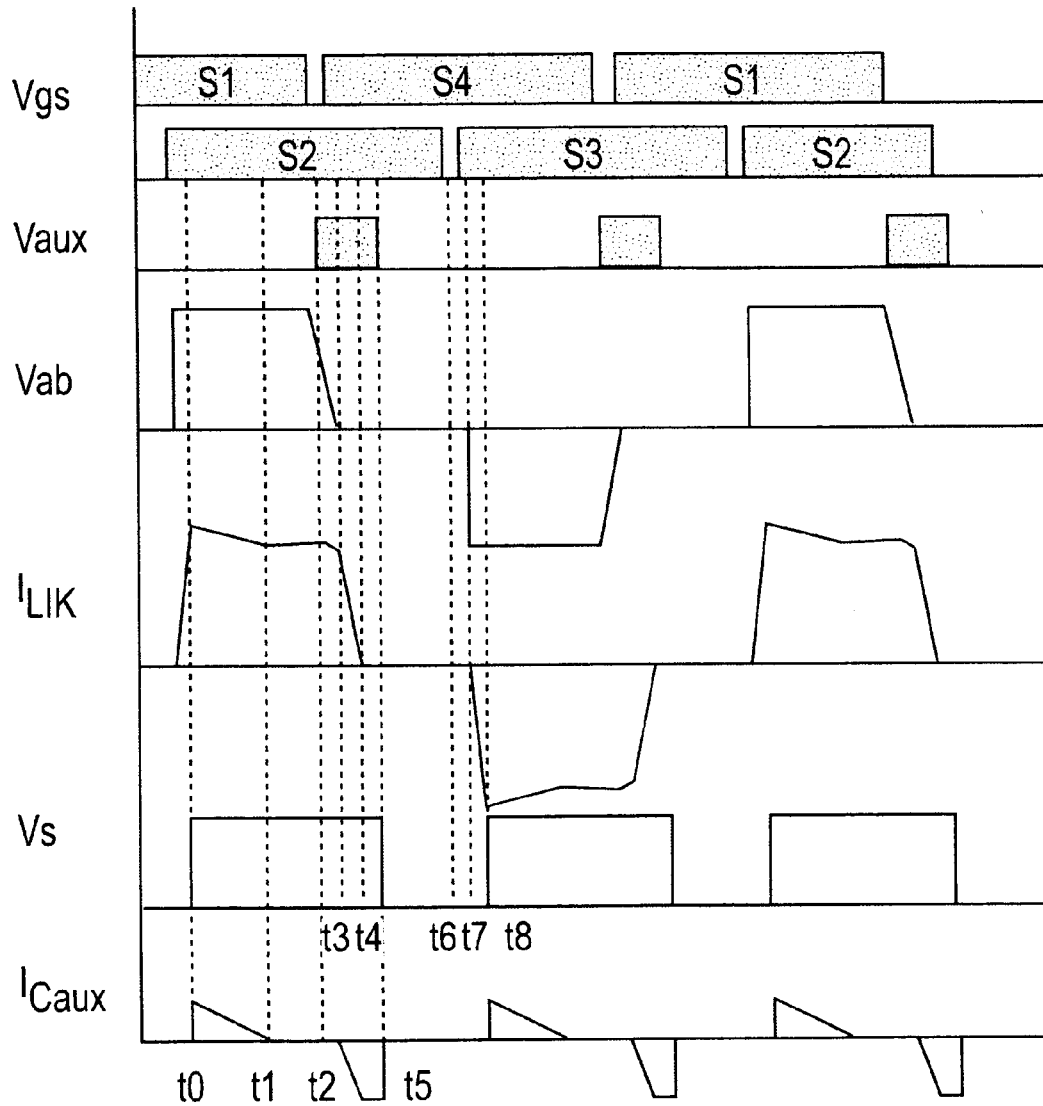


FIG. 4B

ZERO VOLTAGE ZERO CURRENT THREE LEVEL DC-DC CONVERTER

CROSS REFERENCE TO RELATED APPLICATIONS

This application claims priority to U.S. Provisional Application Serial No. 60/152,953, filed on Sep. 9, 1999, the entire contents of which are herein incorporated by reference.

BACKGROUND OF THE INVENTION

1. Field of the Invention

The present invention generally relates to dc-dc converters and, more particularly, to a three-level dc-dc converter which uses an auxiliary voltage source and flying capacitor to reduce the voltage stress across the power switches, improves the efficiency by reducing the circulating energy in the converter, and achieves zero voltage, zero current switching (ZVZCS).

2. Description of the Prior Art

DC-DC power converters are required for many modern day applications. For example, such converters are required for high voltage, high power applications such as used in telecommunications, battery chargers, and uninterruptible power supplies with power factor correction.

The Power Factor Correction (PFC) stage is important stage for the future generation of three phase distributed power systems due to the IEC61000-3-2 Class A standard. The three-phase boost rectifier is an interesting option for this PFC stage, since it can easily comply with the aforementioned standard with simplicity, efficiency, reliability, and low cost. However, in order to reduce the harmonic distortion in this converter, its input to output voltage characteristic has to be increased. Therefore, the dc/dc step down second stage converter usually has to support voltage stress up to 800 Volts, and the need for high voltage devices is required. Unfortunately, these high voltage devices present a poor behavior in terms of conduction and switching losses, and also have a higher cost.

The so-called Zero Voltage Switching (ZVS) Three-Level (TL) dc/dc converters and the Dual Bridge dc/dc converter have overcome this problem. These dc/dc converters reduce the voltage stress across the power switch to half of the input voltage. Hence, power devices with better characteristics can be used. Also, these converters achieve zero voltage switching for the primary switches, which is a necessary characteristic in order to increase the efficiency in the converter.

Examples of three-level ZVS-PWM converters are presented by J. Renes Pinheiro et al., Three Level ZVS PWM Converter A New Concept in DC-to-DC Conversion, IEEE IECON Record, 1992, and J. Renes Pinheiro et al., Wide Load Range Three-Level ZVS-PWM DC-to-DC Converter, IEEE PESC Record, 1993.

FIG. 1 shows a prior art three level ZVS-PWM converter as discussed above. It comprises a main computation leg formed by four MOSFET switches (M_1 , M_2 , M_3 , and M_4), four diodes (D_1 , D_2 , D_3 , and D_4), and four capacitors (C_1 , C_2 , C_3 , and C_4). The diodes D_1 - D_4 and the capacitors C_1 - C_4 are intrinsic elements of the MOSFET switches M_1 - M_4 . L_r is a commutation inductor which is comprised of an external inductor plus the leakage inductor of the isolation transformer T_r . The capacitors C_{a1} and C_{a2} and the inductor L_a form a commutation auxiliary circuit. The output stage is formed by rectifiers D_{r1} , and D_{r2} and by an output filter

formed by L_r and C_r . R_o is the load and D_{c1} , and D_{c2} , are clamping diodes.

In order to insure the commutation ZVS at a wide load range, it is necessary to have enough energy to charge and discharge the intrinsic capacitances C_1 - C_4 . The switches of the converter operate under different conditions of commutation. The commutation of the outer switches M_1 and M_4 always takes place when the current through the primary transformer is equal to the output current reflected to the primary. Since the filter inductance current reflected to the primary is large, even for small primary current, such as the transformer magnetizing current, it is sufficient to perform the commutation. On the other hand, the inner switches M_2 and M_3 commutate when the transformer is short-circuited by the output rectifier. Thus, it is necessary to use an auxiliary inductor L_a to perform the commutation, since the resonant inductor L_r alone does not provide enough stored energy.

As can be seen from above, one of the drawbacks that these prior art converters present is the use of the energy stored in the transformer leakage inductance to achieve zero voltage switching for two of the switches. Hence, an additional resonant inductance has to be included in order to assure ZVS for almost the entire load range. This in turn increases the circulating energy, which increases the conduction losses in the converter. In addition, both a reduction in the effective duty cycle and a severe secondary parasitic ringing occur.

SUMMARY OF THE INVENTION

It is therefore an object of the present invention to provide a Three-level (TL) DC-DC converter that overcomes the drawbacks presented by the Zero Voltage Switching (ZVS). Three-level converter, such as high circulating energy, severe parasitic ringing on the rectifier diodes, and limited ZVS load range for the inner switches.

According to the invention, a three-level DC-to-DC converter is provided having zero-voltage and zero-current switching (ZVZCS). A primary (input) stage and a secondary (output) stage are separated by an isolation transformer. Four commutation switches on the primary side are connected in cascade fashion and are switched by phase-shift control. An input dc voltage source is connected between the first and fourth switches. Two capacitors are also connected between the first and fourth commutation switches and function to split the input voltage in half. The primary side of the isolation transformer is connected at one end between the two capacitors and at its second end between the second and the third commutation switches. Two clamping diodes are also provided; one between the first and second switches and the two capacitors and the other between the third and fourth switches and the and the two capacitors. A flying capacitor is connected at one end between the first and second commutator switches and at a second end between the third and fourth commutator switches.

The output stage comprises two rectifiers connected to either end tap of the secondary side of the isolation transformer and an output filter comprising an a resistor and capacitor connected at one end to the rectifiers and at a second end to the center tap of the isolation transformer. An auxiliary voltage source is additionally added between the rectifiers and the center tap of the isolation transformer.

In operation, the positive and negative charges on the plates of the flying capacitor constantly switch sides and the as the first and second, and third and fourth commutation switches switch on and off. In this manner the primary side

achieves Zero Voltage Switching (ZVS) for the outer commutation switches. The flying capacitor is an important element to achieve ZVS for the switches. This flying capacitor provides a trajectory for the current in order to charge and discharge the parasitic capacitance of the switches **S1** and **S2**, respectively. Also, this flying capacitor allows operation of the converter with a phase-shift control. Without this flying capacitor, the zero voltage operation would not be achieved since the outer switches would be turned on with $\frac{1}{4}$ of the input voltage.

In addition, during freewheeling (i.e., when no power is being transferred from the primary side to the secondary side), the auxiliary power source is switched on to provide a voltage which is reflected back to the primary side in order to eliminate the circulating energy and also to achieve Zero Current Switching (ZCS) for the commutation switches. Of course, the proposed converter would operate just with ZVS if the auxiliary voltage source is not provided.

BRIEF DESCRIPTION OF THE DRAWINGS

The foregoing and other objects, aspects and advantages will be better understood from the following detailed description of a preferred embodiment of the invention with reference to the drawings, in which:

FIG. 1 is a circuit diagram of a prior art three-level DC-to-DC converter;

FIG. 2A is a circuit diagram of the three-level DC-to-DC converter having flying capacitor and auxiliary secondary side voltage source according to the present invention;

FIG. 2B is circuit diagram showing an alternate arrangement for the output stage shown in FIG. 2A;

FIGS. 3A–3D are circuit diagrams of the three-level DC-to-DC converter shown in FIG. 2A where the alternate voltage source is realized by an auxiliary active circuit, first and second regenerative snubbers, and a saturable reactor and capacitor on the primary side, respectively;

FIGS. 4A–4B are the circuit diagram of the three-level DC-to-DC converter according to the present invention along with its principle waveform diagram, respectively.

DETAILED DESCRIPTION OF A PREFERRED EMBODIMENT OF THE INVENTION

Referring now to the drawings, and more particularly to FIG. 2A, there is shown the proposed Zero Voltage and Zero Current Switching (ZVZCS) Three-Level Dc/Dc converter according to the present invention. The converter uses a phase shift control with a flying capacitor, C_{ss} , in the primary side to achieve Zero Voltage Switching (ZVS) for the outer switches. Additionally, the converter uses an auxiliary voltage source, V_{aux} , to reset the primary current during the freewheeling stage in order to eliminate the circulating energy and also to achieve Zero Current Switching for the inner switches.

A primary (input) side **10** and a secondary (output) side **12** are separated by an isolation transformer **14**. Four commutation switches ($S_1, S_2, S_3,$ and S_4) on the primary side **10** are connected in cascade fashion and are switched by phase-shift controller **16**. An input dc voltage source V_{in} is connected between the first and fourth switches, S_1 and S_4 . Two capacitors C_{in1} , and C_{in2} are also connected between the first and fourth commutation switches, S_1 and S_4 and function to split the input voltage V_{in} in half. The primary side of the isolation transformer **14** is connected at one end between the two capacitors, C_{in1} and C_{in2} , and at its second end between the second and the third commutation switches,

S_2 and S_3 . Two clamping diodes, D_{c1} , and D_{c2} , are also provided. D_{c1} is connected between the first and second switches (S_1 and S_2) and the two capacitors (C_{in1} and C_{in2}). D_{c2} is connected between the third and fourth switches (S_3 and S_4) and the two capacitors (C_{in1} and C_{in2}). A flying capacitor C_{ss} is connected at one end between the first and second commutator switches (S_1 and S_2) and at a second end between the third and fourth commutator switches (S_3 and S_4).

The output stage **12** comprises two rectifiers, D_{r1} and D_{r2} , connected to either end tap of the secondary side of the isolation transformer **14** and an output filter comprising an a capacitor C_{out} and an inductor L_{out} connected at one end to the rectifiers, D_{r1} and D_{r2} , and at a second end to the center tap **18** of the isolation transformer **14**. The output load is represented by R_{out} . An auxiliary voltage source V_{aux} is additionally added between the rectifiers, D_{r1} and D_{r2} and the center tap **18** of the isolation transformer **14**. FIG. 2B shows an alternate arrangement for the output stage using a non-center tapped transformer **14'** and four rectifying diodes D_r .

The auxiliary voltage source V_{aux} can be implemented in different ways. FIGS. 3A–D shows the implementation of the proposed converter with an auxiliary active circuit (**3A**), first and second Regenerative Snubbers (**3B**) and (**3C**), and a Saturable Reactor and capacitor (**3D**).

In FIGS. 3A–D, like devices are given like reference numerals as those shown in FIG. 2A and therefore the detailed description is omitted. In FIG. 3A the auxiliary voltage source is shown as an active clamp comprising a clamp switch S_{aux} and capacitor C_{aux} . The capacitor C_{aux} stores a charge voltage which provides the auxiliary voltage source when the switch S_{aux} is closed by the controller **16**.

In FIG. 3B, the auxiliary voltage source V_{aux} is provided by a regenerative snubber circuit comprising a capacitor C_{rs} and two additional rectifier diodes D_{rs1} and D_{rs2} . In the previous explanation, the primary current is reset by adding an auxiliary active circuit in the secondary side, which provides the necessary voltage source to reset the primary current during the freewheeling stage when S_{aux} is turned on. In this way, the ZVZCS condition for the primary switches and the active clamping of the voltage across the secondary diodes are achieved.

In FIG. 3B, the auxiliary voltage source V_{aux} is implemented with the capacitor C_{rs} and the rectifiers D_{rs1} and D_{rs2} . Its operating principle is similar to that one with the active auxiliary circuit. That is, when S_1 or S_4 is turned off, the capacitor C_{rs} works as a temporary voltage source to reset the primary freewheeling current. That is, when S_1 is turned off the reflected filter inductor current charges the parasitic capacitance of S_1 and discharges the parasitic capacitance of S_4 through the auxiliary flying capacitor C_{ss} . This action continues until the rectifier voltage in the secondary equals the auxiliary capacitor voltage V_{crs} , and then D_{aux2} is turned on. Then, a resonance between the leakage inductance and the parasitic capacitances of S_1 and S_4 takes place until the clamp diode D_{c1} and the anti-parallel diode of the switch S_4 are turned on. During this time, the difference between the filter inductor current and the reflected leakage inductance current discharges C_{rs} . Once the anti-parallel diode of S_4 starts conducting, S_4 can be turned on with zero voltage. The primary current freewheels through the clamp diode D_{c1} and S_2 . The voltage across the auxiliary capacitor is reflected to the primary and applied to the leakage inductance. In this way, the primary current is reduced to zero. Also, the auxiliary clamp capacitor supplies energy to

the output. This action ends when the primary current is reset to zero. In this case, this temporary voltage source is not controllable, which means that in every half period, the energy in the capacitor C_{rs} is discharged completely. Moreover, during the transition from the freewheeling stage to the active stage, these sources are reestablished in a resonant fashion through the auxiliary diode D_{rs1} .

In FIG. 3C, the auxiliary circuit V_{aux} is also provided by a regenerative snubber comprising two auxiliary capacitors C_{aux1} and C_{aux2} and auxiliary diodes D_{aux1-3} . In FIG. 3C, the auxiliary voltage source needed to reset the current during the freewheeling stage is also provided by a passive lossless circuit comprising two auxiliary capacitors C_{aux1} and C_{aux2} , and three auxiliary diodes D_{aux1} , D_{aux2} , and D_{aux3} . Its operating principle is similar to the two previous described circuits. That is, when S_1 or S_4 is turned off, the capacitors C_{aux1} and C_{aux2} work as a temporary voltage source to reset the primary freewheeling current. Similarly to the previous case, when the lossless circuit is used, this temporary sources are not controllable, which means that in every half period, the snubber capacitors energy is discharged completely. Moreover, during the transition from the freewheeling stage to the active stage, these sources are reestablished in a resonant fashion.

In FIG. 3D, the auxiliary voltage source is provided by a saturable inductor L_s on the primary side 10. FIG. 3D shows the ZVZCS Three-Level DC/DC converter using an auxiliary voltage source in the primary side. This auxiliary voltage source to achieve ZCS operation is implemented with a capacitor and a saturable inductor. If the capacitance is very low, the voltage level across it can be high enough to reset the primary current. Meanwhile, the saturable inductor is used to keep the current at zero during the freewheeling stage.

Referring to FIGS. 4A–D, and operational example is given for the case when the auxiliary voltage source is an active clamp circuit. In order to simplify the analysis of the converter, it is assumed that the circuit operation is in steady state, the output filter inductor L_{out} is large enough to be considered as a current source, all the devices are ideal, and the transformer magnetizing current is neglected.

The proposed converter has eight operation stages during a half switching cycle. As it was mentioned before, the circuit uses the well known phase shift control with turn on and turn off of nearly 50% duty cycle. The phase shift between S_1 and S_2 or S_3 and S_4 determines the operating duty cycle of the converter. The following explains the operation the circuit shown in FIG. 4A with reference to FIG. 4B.

[t0–t1]: During this stage, S_1 and S_2 are conducting and the input power is delivered to the output. At the beginning of this stage, the anti-parallel diode D_{aux} of the clamp switch S_{aux} starts to conduct the resonant current between the leakage inductance, L_{lk} , and the junction capacitance of the output rectifier diodes D_{r1} and D_{r2} . This stage ends at t1 when the current I_{aux} through the clamp capacitor, C_{aux} , reaches zero. The duration of this mode depends on the leakage inductance, the junction capacitance and the reverse recovery time of the rectifier diodes D_{r1} and D_{r2} .

[t1–t2]: In this stage, the input power continues delivering to the output. At t1, the current in the clamp capacitor C_{aux} reverses its polarity but the anti-parallel diode D_{aux} of the

clamp switch S_{aux} blocks and the voltage across the secondary rectifier becomes:

$$V_{rec} = \frac{V_{in}}{n}$$

[t2–t3]: At t2, S_1 is turned off and the load current charges and discharges the parasitic capacitance of S_1 and S_4 through the flying capacitor, C_{ss} respectively. Meanwhile, the clamp switch S_{aux} is turned on and the secondary voltage is held by the clamp capacitor, C_{aux} . This stage ends when the voltage across the parasitic capacitance of S_1 reaches $V_{in}/2$ and the clamp diode D_{c1} begins to conduct. At the same time, the voltage across the parasitic capacitance of S_4 reaches zero and its antiparallel diode, D_4 , begins to conduct.

[t3–t4]: After D_4 starts conducting, S_4 can be turned on at t3 with ZVS. The primary current freewheels through the clamp diode, D_{c1} , and S_2 . The auxiliary clamp capacitor C_{aux} voltage is reflected to the primary side 10 and applied across the leakage inductance L_{lk} . In this way, the primary current is reduced linearly to zero with a slope equal to $V_{C_{aux}} * n / L_{lk}$ (where n is the turn ratio of the transformer 14). Also, the auxiliary clamp capacitor C_{aux} supplies energy to the output. This stage ends when the primary current is reset to zero.

[t4–t5]: The rectifier diodes D_{r1} and D_{r2} are turned off since the primary current is zero and S_{aux} is still on. During this stage, the output current still is supplied by the auxiliary clamp capacitor C_{aux} . As a result, the effective duty cycle seen in the secondary side is larger than the one seen in the primary side.

[t5–t6]: At t5, S_{aux} is turned off, the voltage applied to the output rectifiers D_{r1} and D_{r2} , immediately drops to zero, and the conventional freewheeling stage in the converter starts. During this time, there is no current freewheeling in the primary side. Therefore, the circulating energy in the primary side is reduced due to ZVZCS operation.

[t6–t7]: At t6, S_2 is turned off with complete ZCS since the leakage current has been reset completely at t4. As a consequence, IGBTs can be used for S_2 and S_3 .

[t7–t8]: At t8, S_3 is turned on and the primary voltage is applied to the primary side of the transformer. The primary current flows through S_3 and S_4 and begins to increase with a slope equal to $V_{in}/(2 * L_{lk})$. At the end of this stage, the primary current reaches the reflected output current and a new half-switching cycle starts.

As can be seen from the above description, the present invention provides a novel Zero Voltage and Zero Current Switching (ZVZCS) Three-level (TL) DC/DC converter providing a reduction of the voltage stress across the power switch Lip to half the input voltage and an improvement in the efficiency by reducing the circulating energy in the converter during the freewheeling stage. Therefore, this converter can be used in applications where are needed high voltage and high power, such as the one used for telecommunication, battery charger and uninterruptible power supplies with a power factor pre-regulator.

While the invention has been described in terms of a single preferred embodiment, those skilled in the art will recognize that the invention can be practiced with modification within the spirit and scope of the appended claims.

We claim:

1. A DC-to-DC power converter, comprising:
 - an input stage and an output stage;
 - a transformer connecting said input stage and said output stage; said input stage comprising:

7

a positive input terminal and a negative input terminal for connection to a DC power source;

a first pair of switches connected between said positive input terminal and a first end tap of a primary side of said transformer;

a second pair of switches connected between said negative input terminal and said first end tap of said primary side of said transformer;

a pair of capacitors connecting a second end tap of said primary side of said transformer to said positive input terminal and a negative input terminal, respectively; and

a capacitor connected between said first pair of switches and said second pair of switches;

said output stage comprising:

a rectifier circuit connected to a secondary side of said transformer;

an output filter connected to said rectifier; and

an auxiliary voltage source connected to said rectifier circuit.

2. A DC-to-DC power converter as recited in claim 1, further comprising a pair of diodes connected between said capacitor and a node connecting said pair of capacitors.

3. A DC-to-DC power converter as recited in claim 1 wherein said auxiliary voltage source comprises an auxiliary active clamp circuit.

4. A DC-to-DC power converter as recited in claim 1 wherein said auxiliary voltage source comprises a regenerative snubber circuit.

5. A DC-to-DC power converter, comprising:

an input stage and an output stage;

a transformer connecting said input stage and said output stage; said input stage comprising:

a positive input terminal and a negative input terminal for connection to a DC power source;

a first pair of switches connected between said positive input terminal and a first end tap of a primary side of said transformer;

a second pair of switches connected between said negative input terminal and said first end tap of said primary side of said transformer;

a pair of capacitors connecting a second end tap of said primary side of said transformer to said positive input terminal and a negative input terminal, respectively;

8

a capacitor connected between said first pair of switches and said second pair of switches; and

an auxiliary voltage circuit connected to said first and said second end taps of said transformer;

said output stage comprising:

a rectifier circuit connected to a secondary side of said transformer;

an output filter connected to said rectifier.

6. A DC-to-DC power converter as recited in claim 5 wherein said auxiliary voltage source comprises a saturable reactor and capacitor.

7. A zero-voltage, zero-current switching (ZVZCS) DC-to-DC power converter comprising:

an input stage and an output stage connected by a transformer;

a plurality of switches connected in cascade for connecting and disconnecting a DC input power source to and from said transformer;

a capacitor connected across ones of said plurality of switches to charge and discharge switch capacitance to achieve zero-voltage switching; and

an auxiliary voltage source activated during a freewheeling cycle when no power is being transferred from the input stage to the output stage, said auxiliary power source providing an auxiliary voltage to eliminate the circulating energy in said input stage to achieve zero current switching (ZCS).

8. A zero-voltage, zero-current switching (ZVZCS) DC-to-DC power converter as recited in claim 7 wherein said auxiliary voltage source is connected within said output stage and said auxiliary voltage is reflected back through said transformer to said input side.

9. A zero-voltage, zero-current switching (ZVZCS) DC-to-DC power converter as recited in claim 8 wherein said auxiliary voltage source is a regenerative snubber circuit.

10. A zero-voltage, zero-current switching (ZVZCS) DC-to-DC power converter as recited in claim 7 wherein said auxiliary voltage source is a saturable reactor and a capacitor connected to said transformer within said input stage.

* * * * *