



US006147882A

United States Patent [19]

[11] Patent Number: **6,147,882**

Huber et al.

[45] Date of Patent: **Nov. 14, 2000**

[54] **SINGLE-STAGE INPUT CURRENT SHAPING TECHNIQUE WITH VOLTAGE-DOUBLER RECTIFIER FRONT-END**

“A High Efficient Single Stage Switch High Power Factor AC/DC Converter With Universal Input”, Qian, et al., IEEE, Feb. 1997, pp. 281–287.

[75] Inventors: **Laszlo Huber**, Apex, N.C.; **Jindong Zhang**, Blacksburg, Va.; **Milan M. Jovanovic**, Cary, N.C.; **Fred C. Lee**, Blacksburg, Va.

Primary Examiner—Jeffrey Sterrett
Attorney, Agent, or Firm—Skjerven Morrill MacPherson LLP; Edward C. Kwok

[73] Assignees: **Delta Electronics, Inc.**, Taipei, Taiwan; **Virginia Tech. Intellectual Properties, Inc.**, Blacksburg, Va.

[57] ABSTRACT

[21] Appl. No.: **09/215,758**

[22] Filed: **Dec. 19, 1998**

[51] Int. Cl.⁷ **H02M 1/12**

[52] U.S. Cl. **363/39; 363/17; 363/20; 363/61; 363/143**

[58] Field of Search **363/15–17, 20–21, 363/24–26, 34, 37, 39–40, 59–61, 142–143**

A single-stage input-current-shaping (S^2ICS) converter of the present invention integrates a voltage-doubler-rectifier front-end with a DC/DC output stage. Two families of voltage-doubler S^2ICS converters are disclosed. In one family, a 2-terminal dither source is provided between a boost inductor and a common input terminal of a storage capacitor and the DC/DC output stage. The 2-terminal dither source includes two paths connected in parallel: a first path for charging and a second path for discharging the boost inductor at a high frequency (HF). In the other family, a 3-terminal dither source includes a third terminal coupled to a pulsating node of the DC/DC output stage. In the 3-terminal dither source, the HF charging path of the boost inductor is coupled between the boost inductor and the pulsating node of the DC/DC output stage, while the HF discharging path of the boost inductor is coupled between the boost inductor and the common input terminal of the storage capacitor and the DC/DC output stage. Due to the voltage-doubler-rectifier front-end, reduction of line-current harmonics can be achieved with a higher conversion efficiency, as compared to a corresponding S^2ICS converter with a conventional full-bridge rectifier. In addition, a converter of the present invention requires storage capacitors of a lower voltage rating and a smaller total capacitance than the conventional S^2ICS counterpart. The present invention thereby reduces the size and the cost of the power supply.

[56] References Cited

U.S. PATENT DOCUMENTS

| | | | |
|-----------|--------|------------------|--------|
| 5,301,095 | 4/1994 | Teramoto et al. | 363/21 |
| 5,600,546 | 2/1997 | Ho et al. | 363/21 |
| 5,652,700 | 7/1997 | Tsai et al. | 363/21 |
| 5,757,626 | 5/1998 | Jovanovic et al. | 363/21 |
| 5,790,389 | 9/1998 | Hua | 363/20 |
| 5,909,107 | 6/1999 | Aonuma et al. | 363/39 |

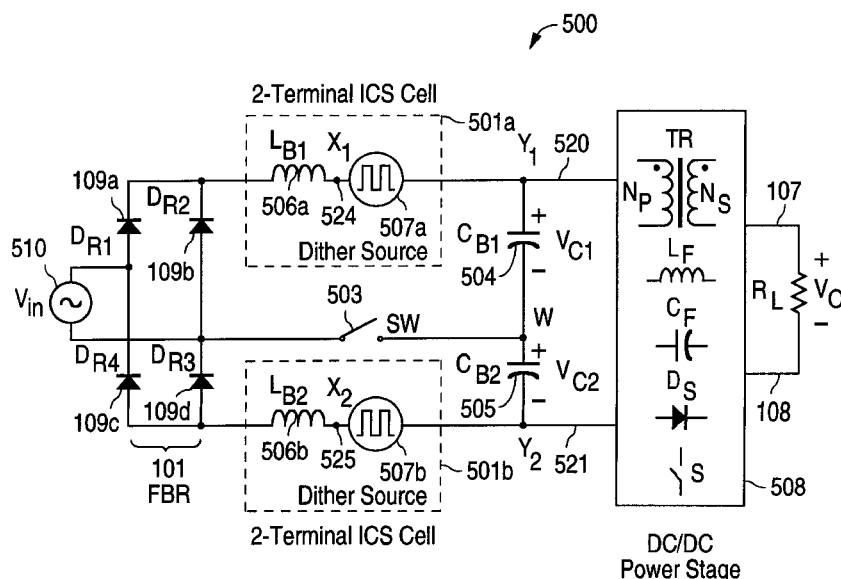
OTHER PUBLICATIONS

“The suppressing harmonic currents, MS (Magnetic-Switch) power supply”, Watanabe et al., IEEE, Dec. 1995, pp. 783–790.

“Integrated High Quality Rectifier-Regulators”, Madigan, et al., IEEE, Mar., Mar. 1992, pp. 1043–1051.

“A Switching Power Supply of 99% Power Factor By the Dither Rectifier”, Takahasi, et al., IEEE, Nov., 1991, pp. 714–719.

16 Claims, 23 Drawing Sheets



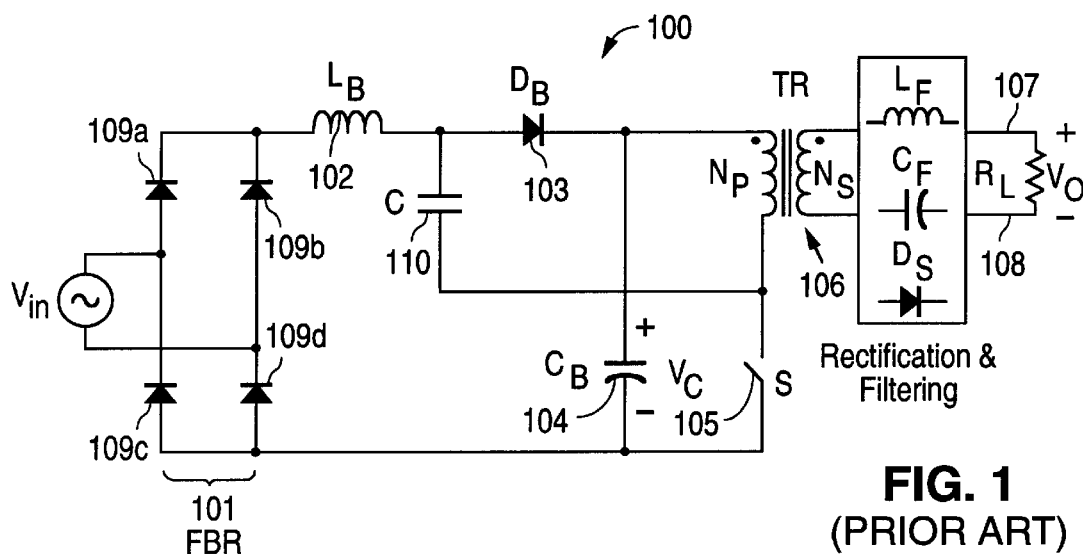


FIG. 1
(PRIOR ART)

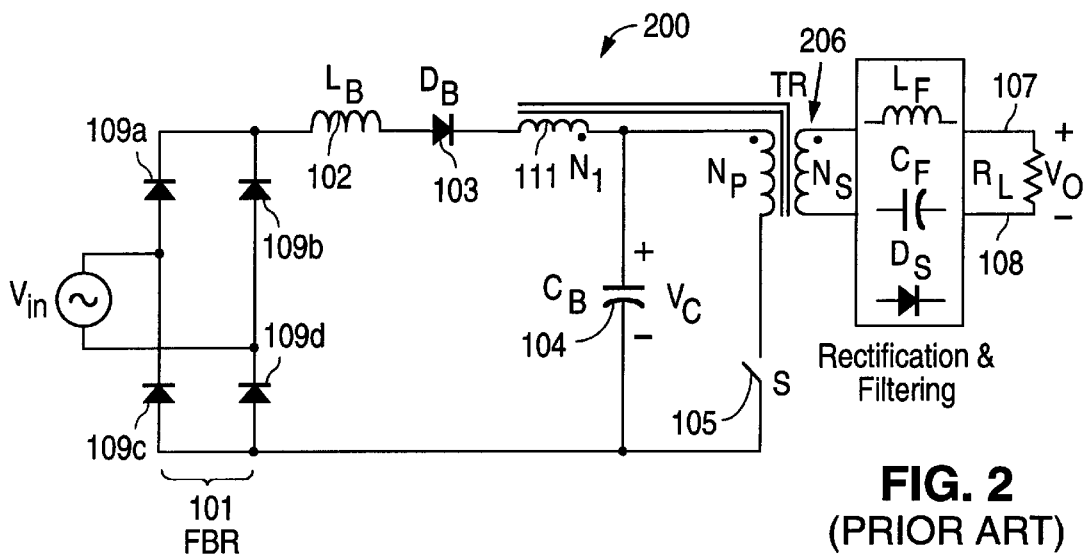


FIG. 2
(PRIOR ART)

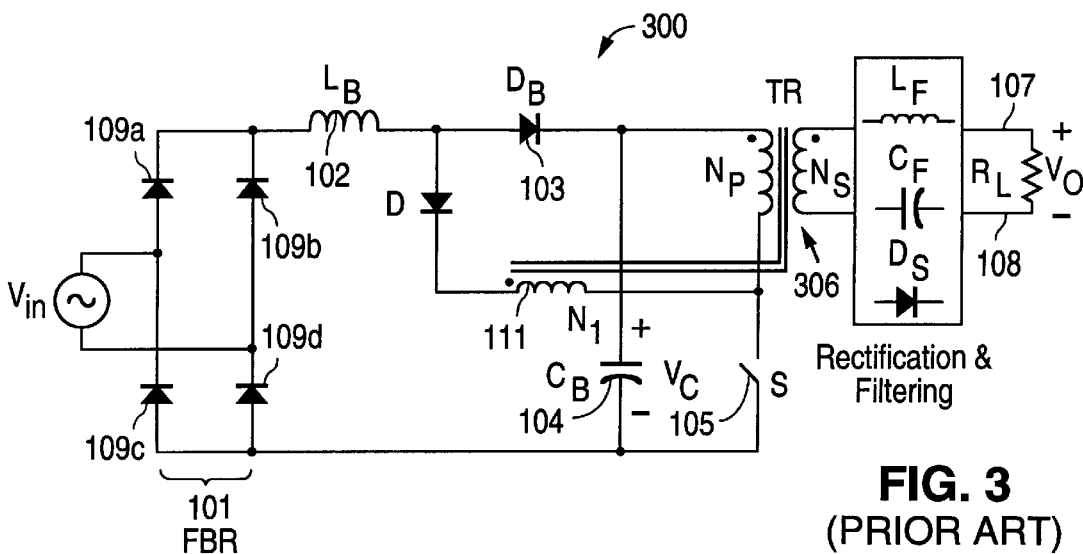


FIG. 3
(PRIOR ART)

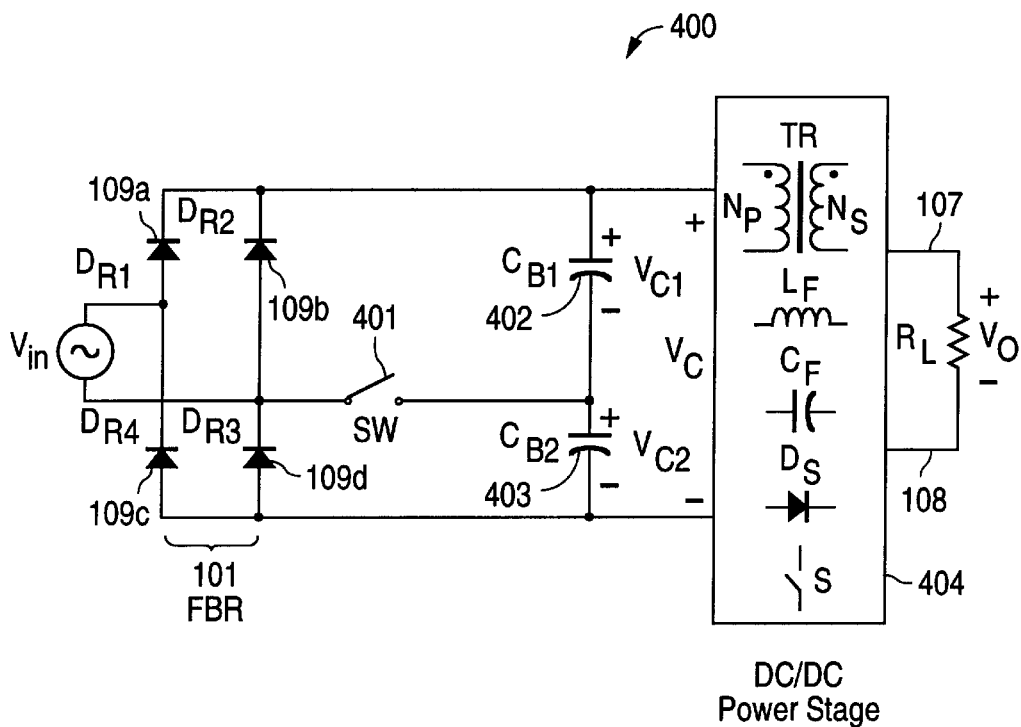


FIG. 4
(PRIOR ART)

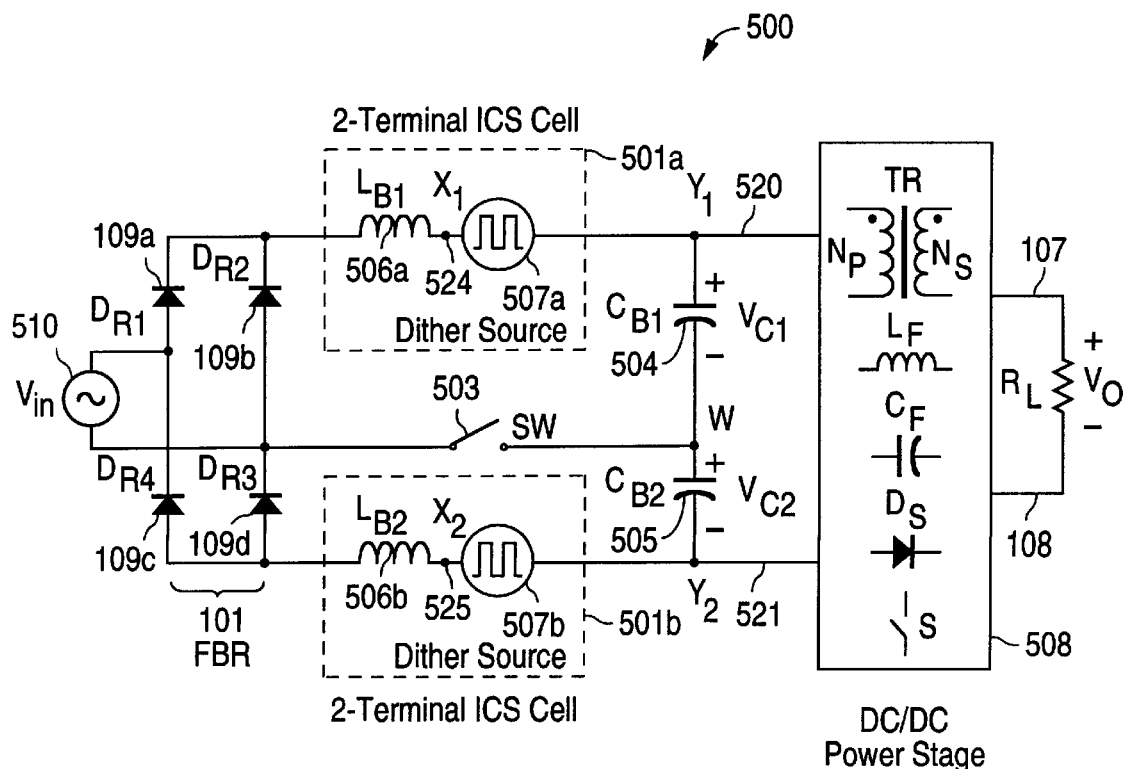


FIG. 5

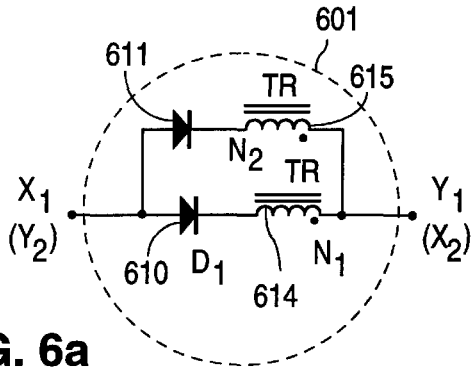


FIG. 6a

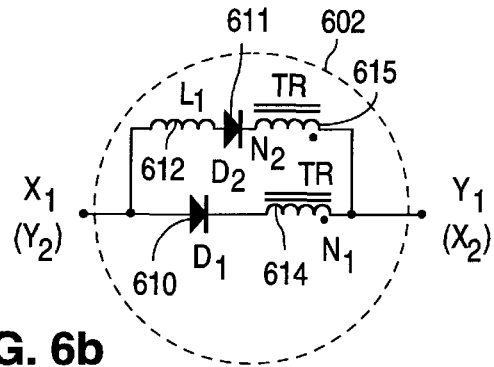


FIG. 6b

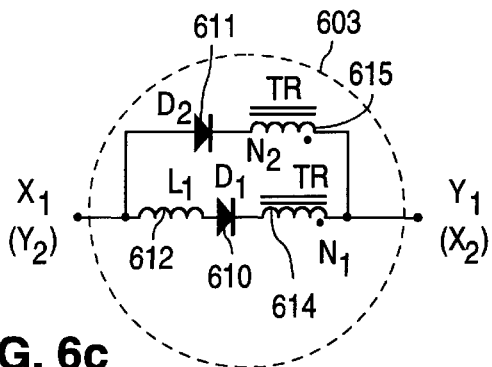


FIG. 6c

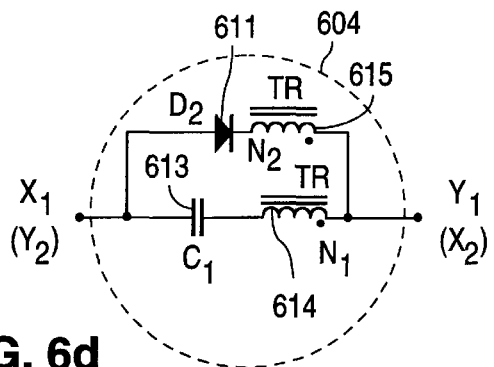


FIG. 6d

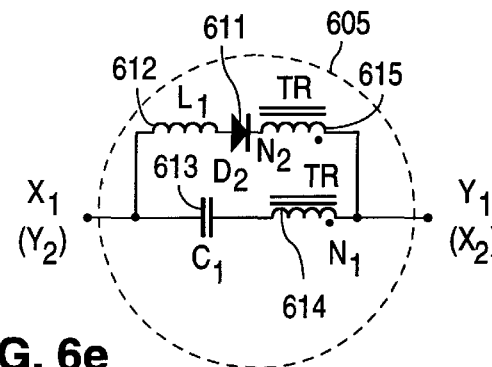


FIG. 6e

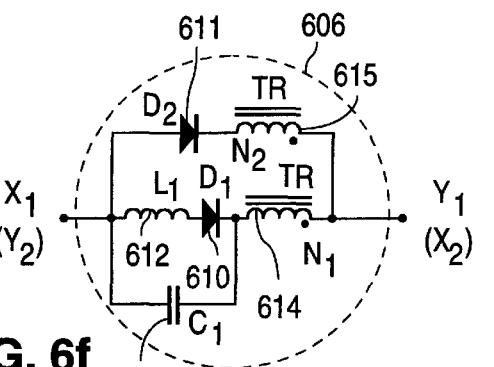


FIG. 6f

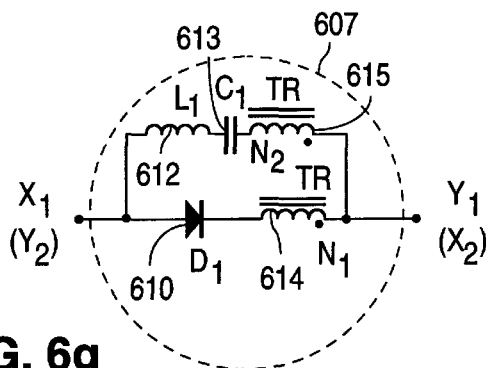


FIG. 6g

FIG. 7a

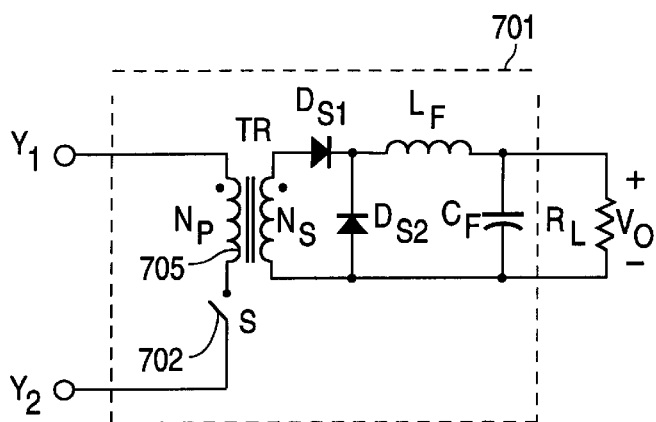


FIG. 7b

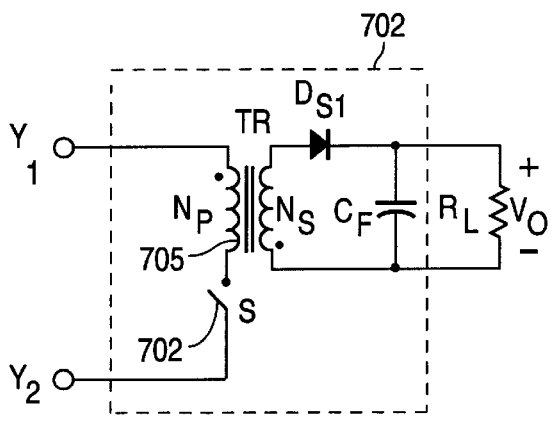


FIG. 7c

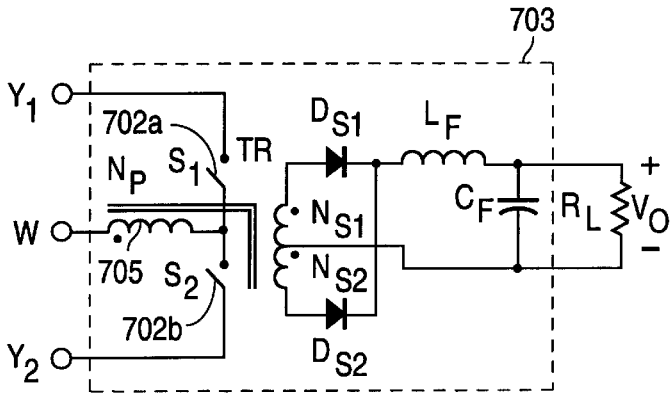
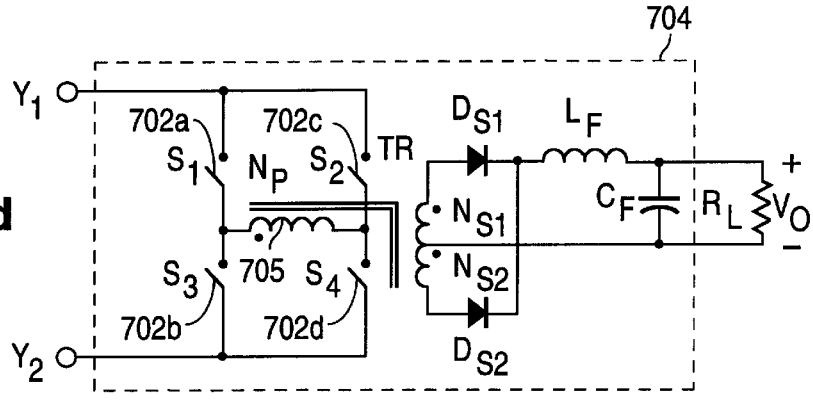


FIG. 7d



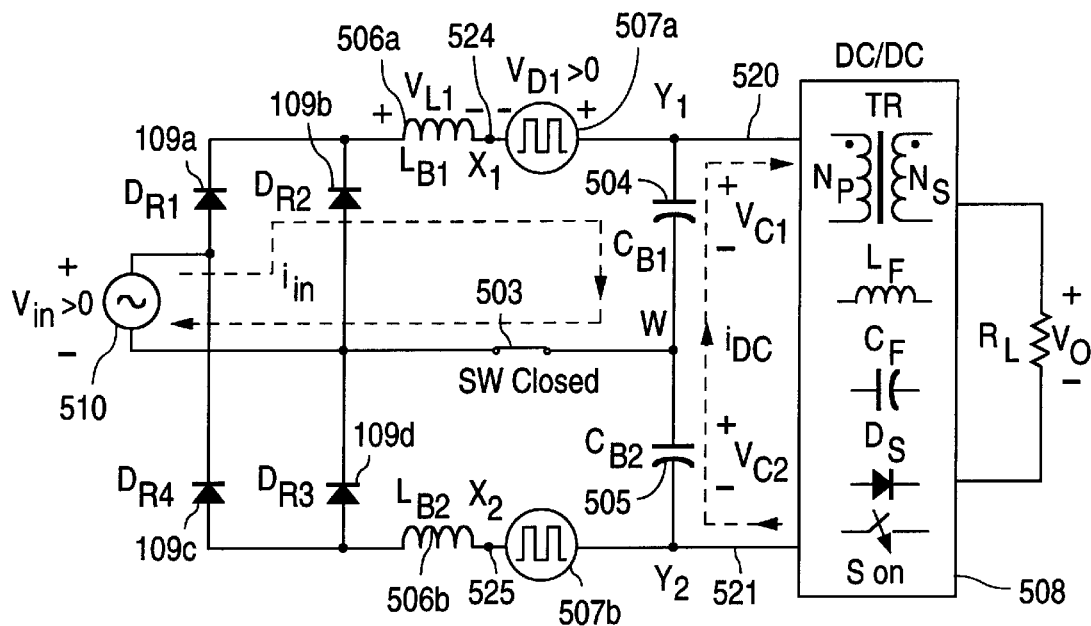


FIG. 8a

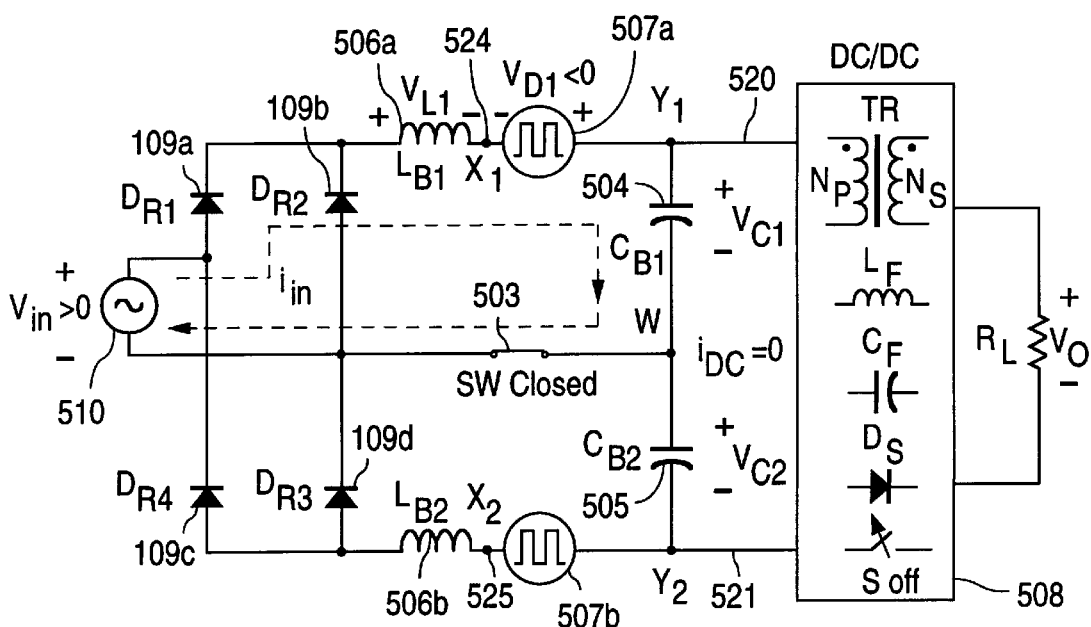


FIG. 8b

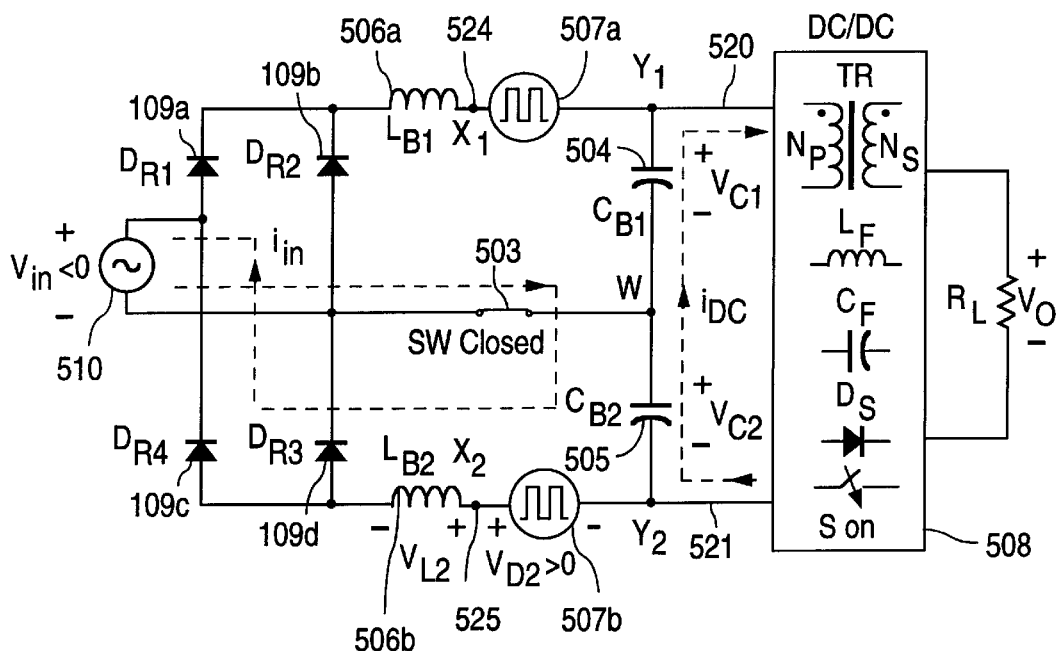


FIG. 8c

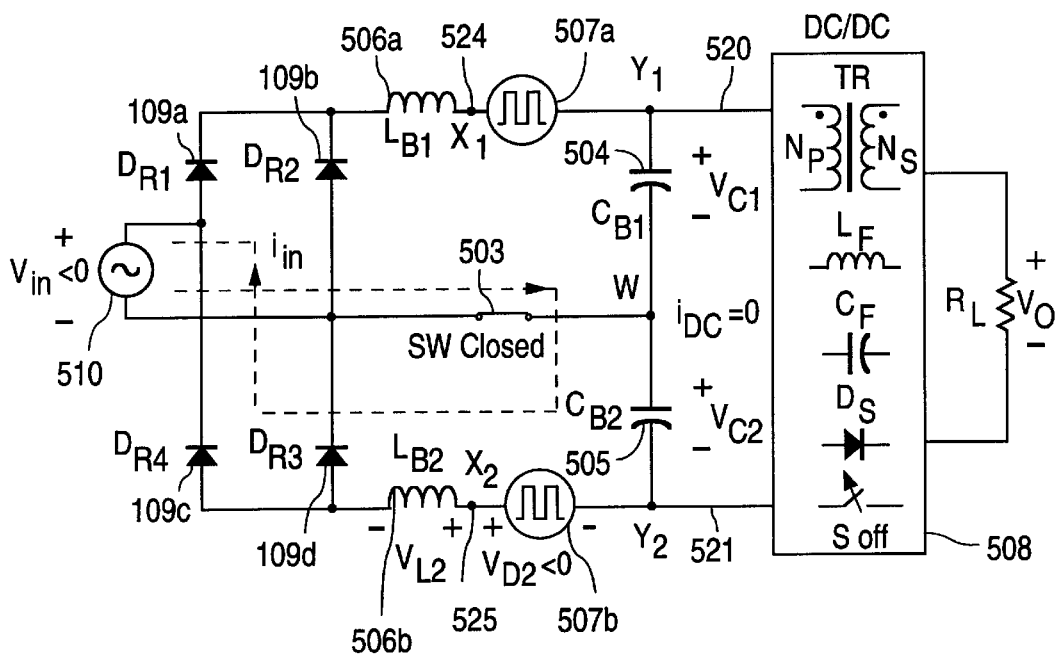


FIG. 8d

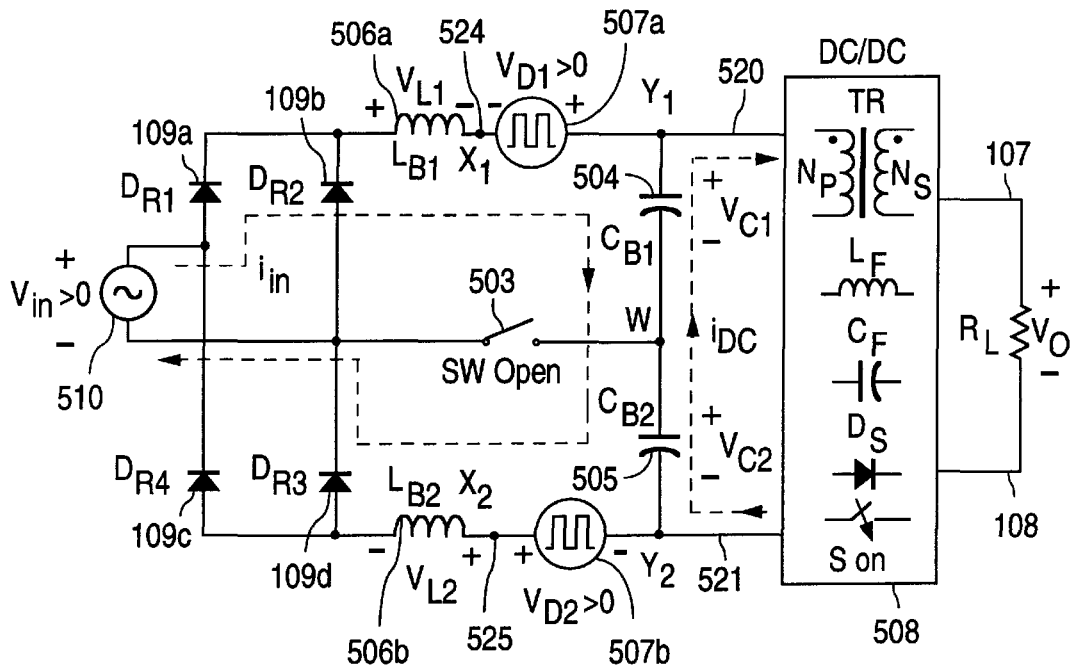


FIG. 9a

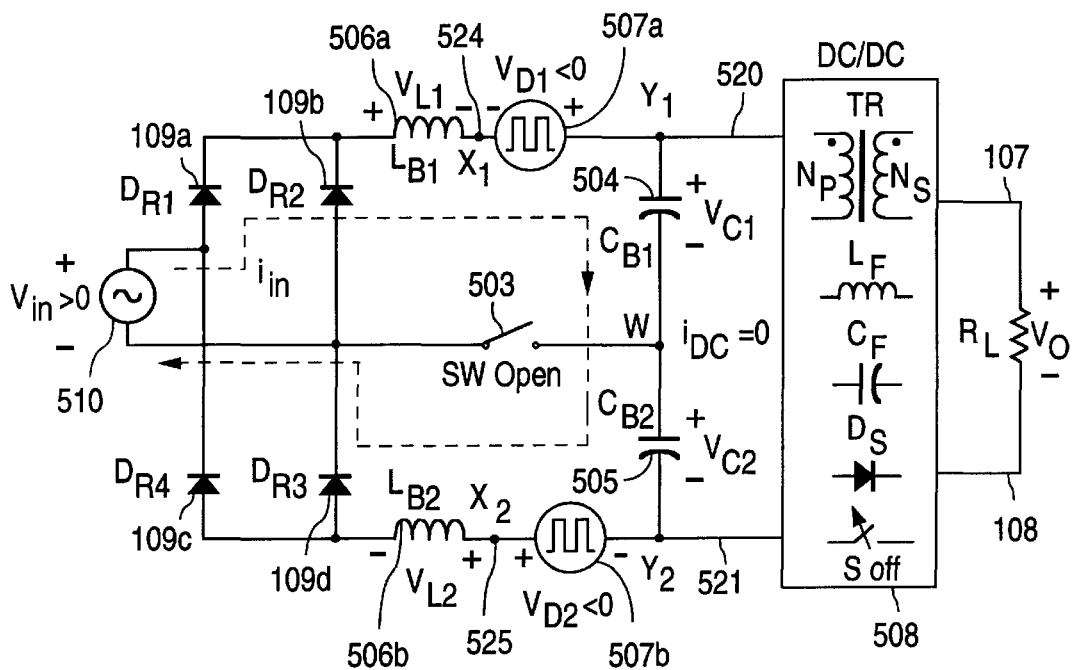


FIG. 9b

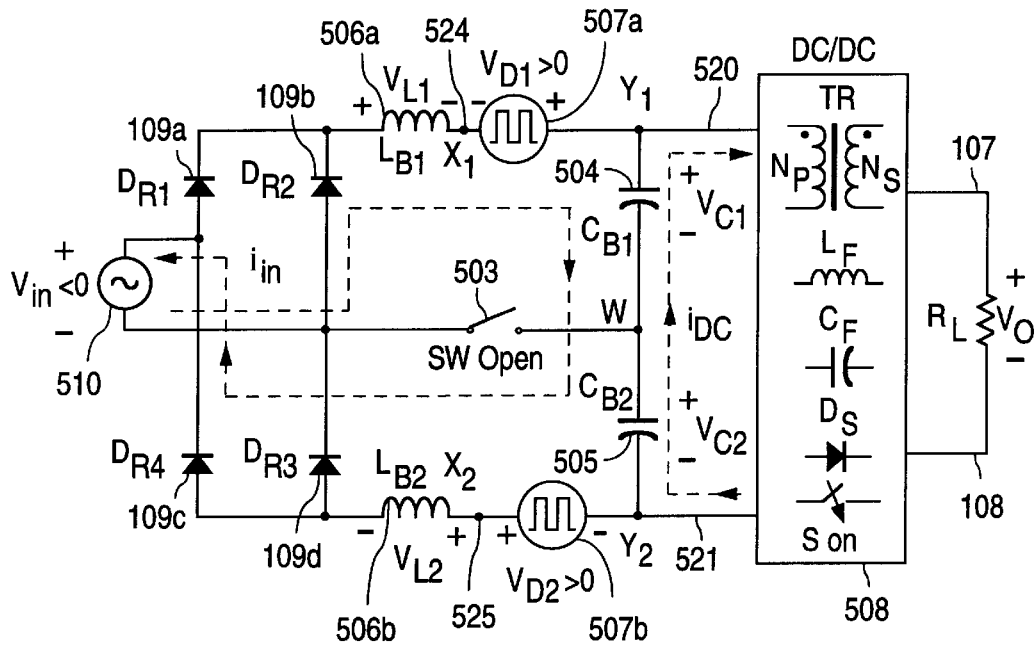


FIG. 9c

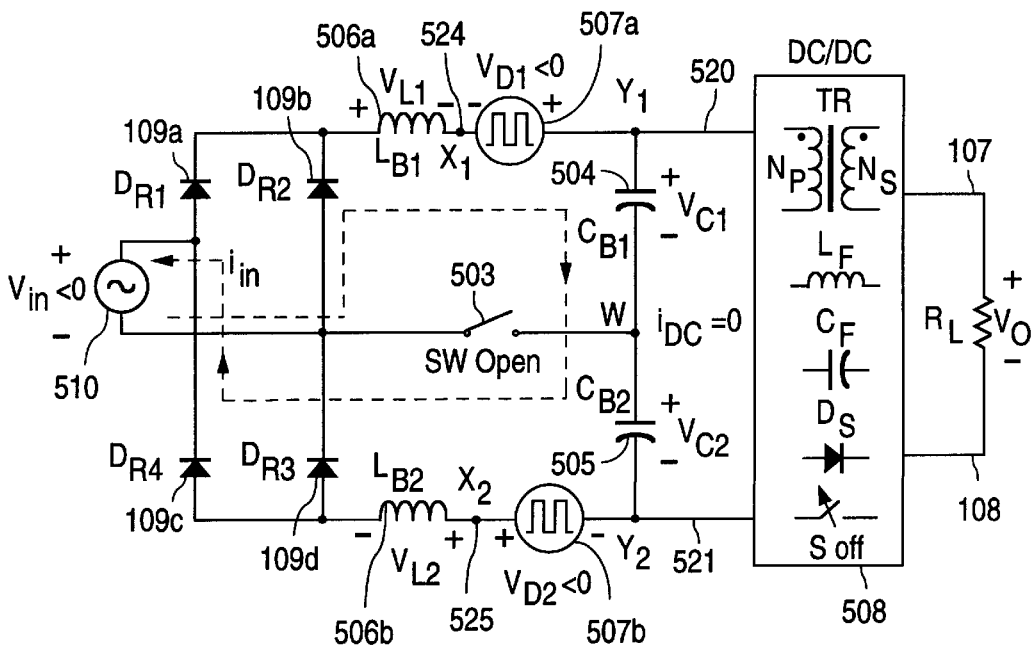


FIG. 9d

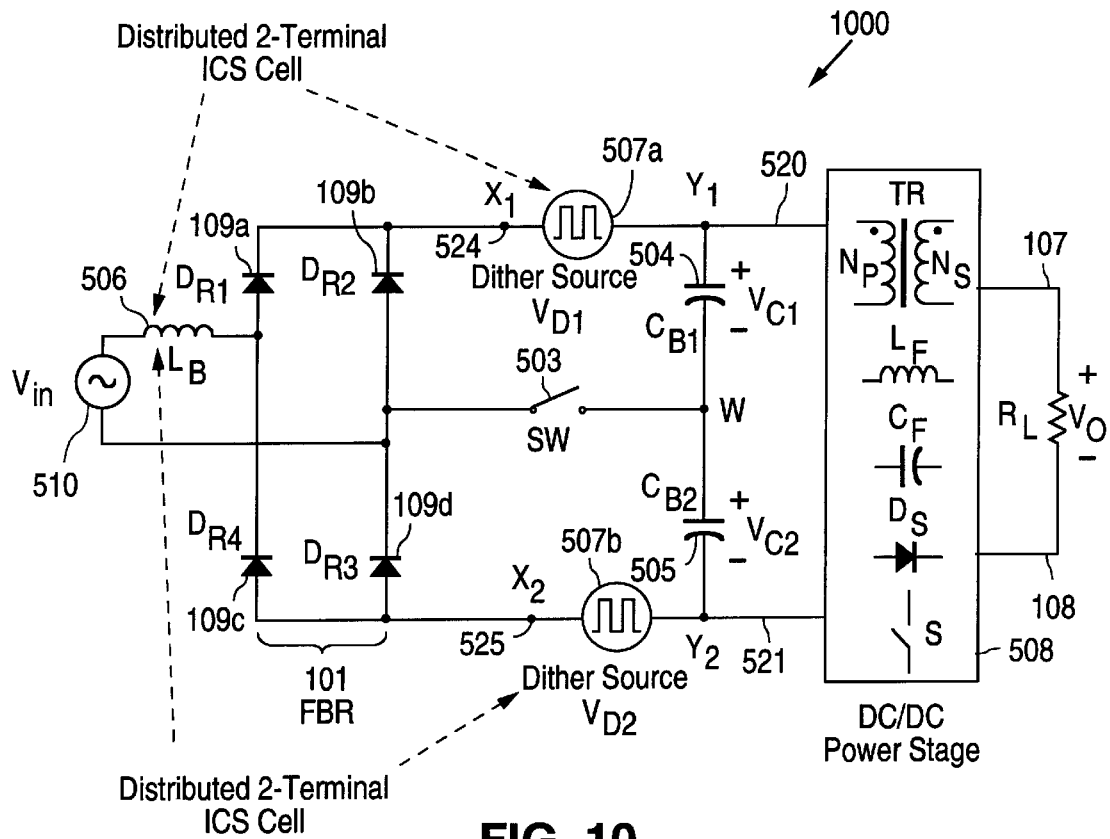


FIG. 10

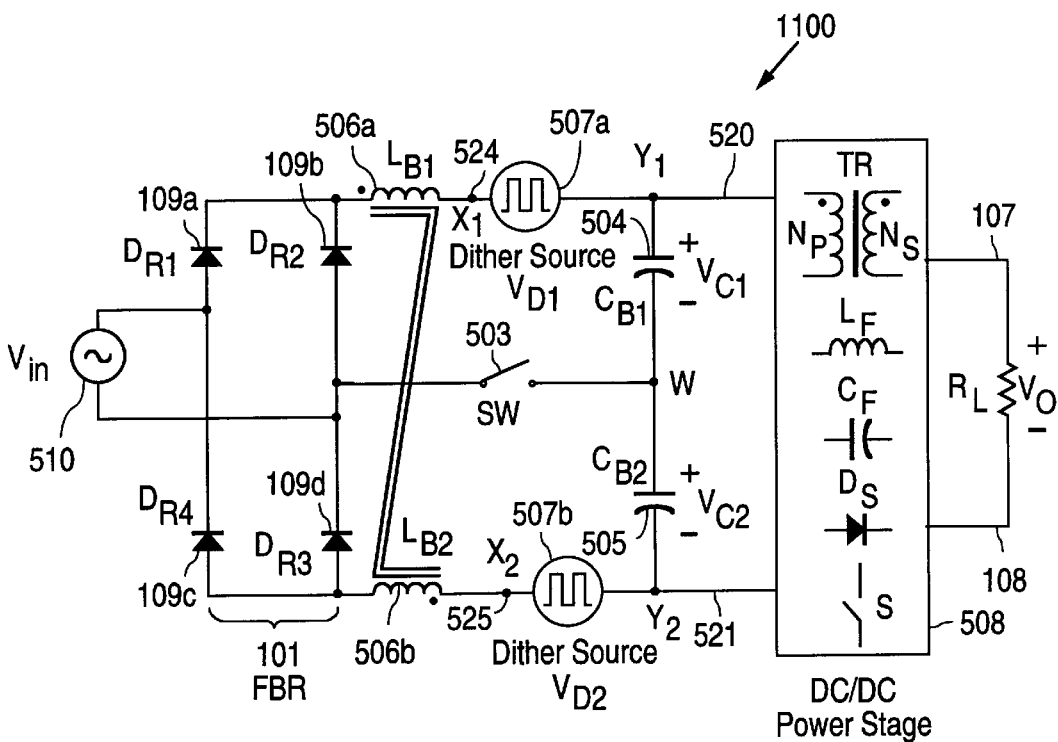


FIG. 11

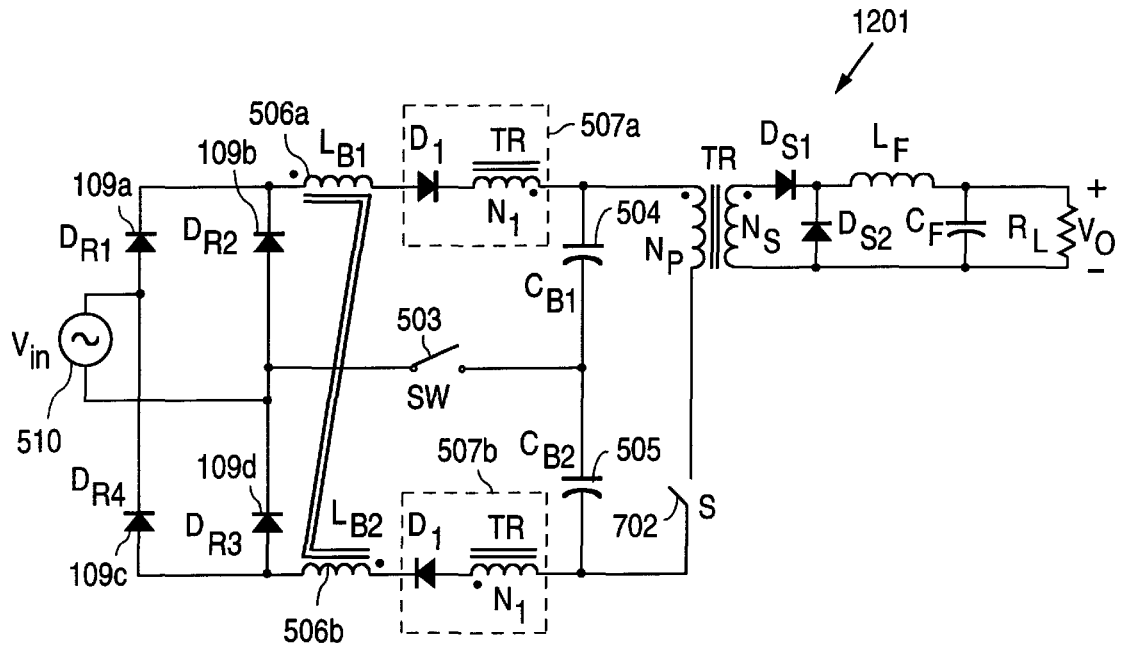


FIG. 12a

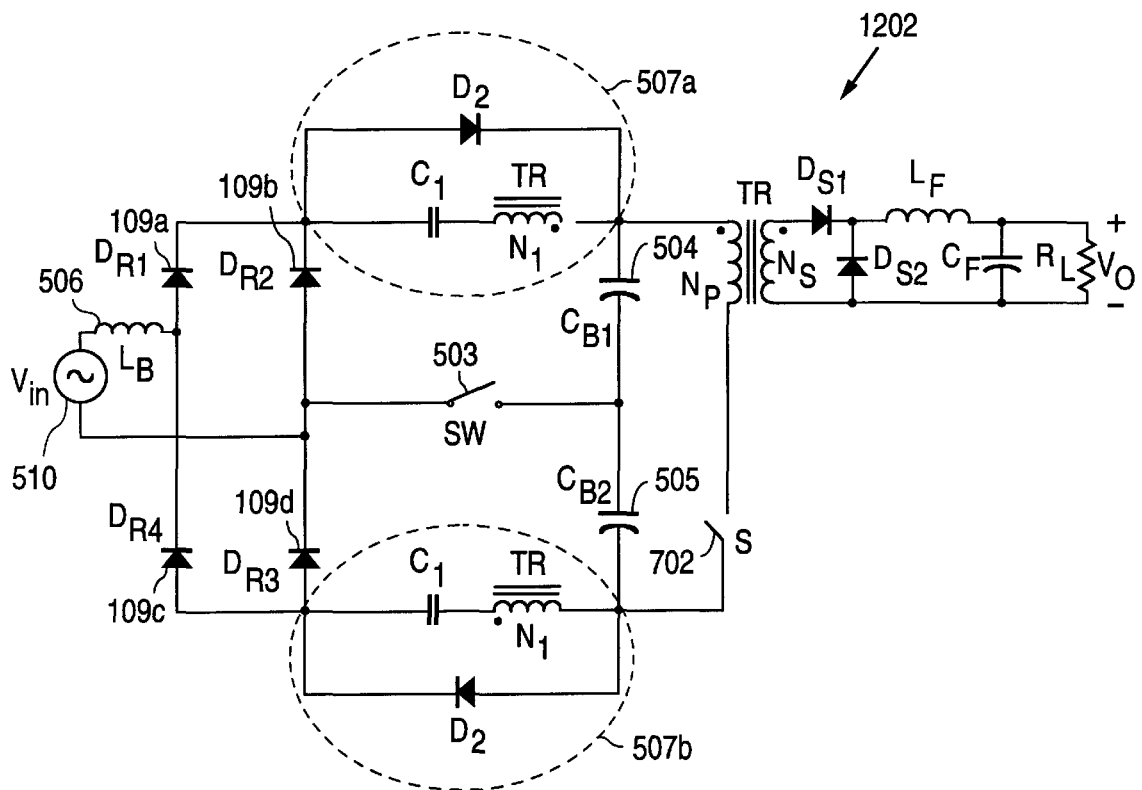


FIG. 12b

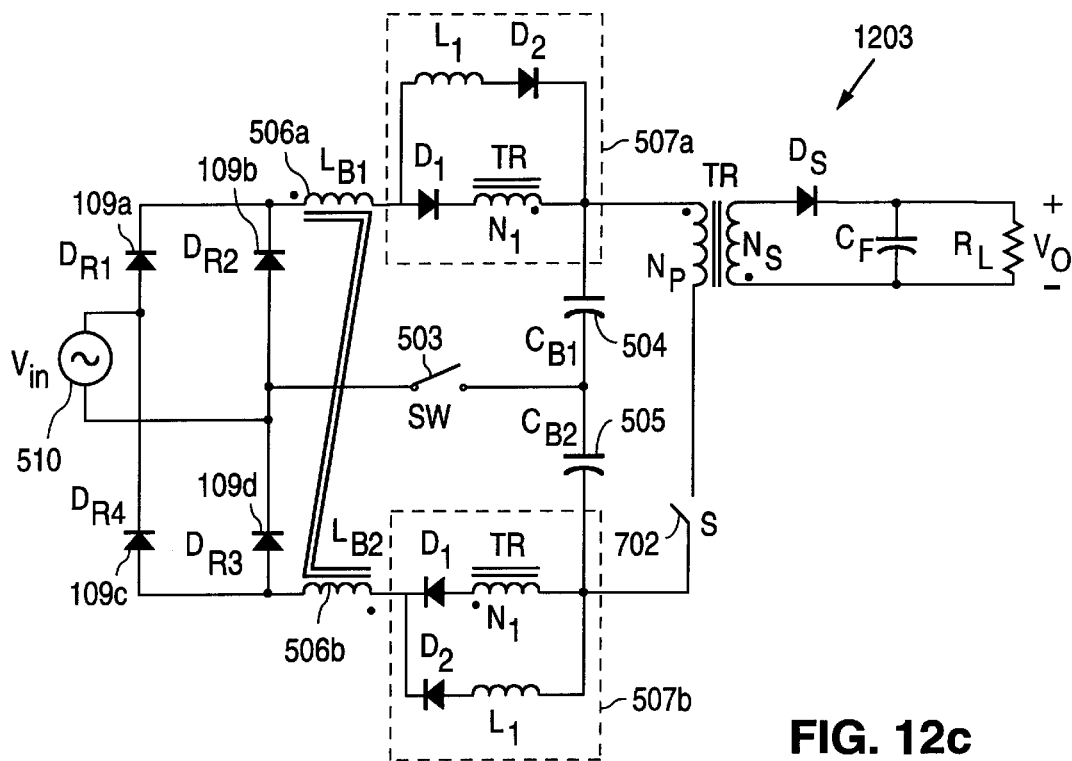


FIG. 12c

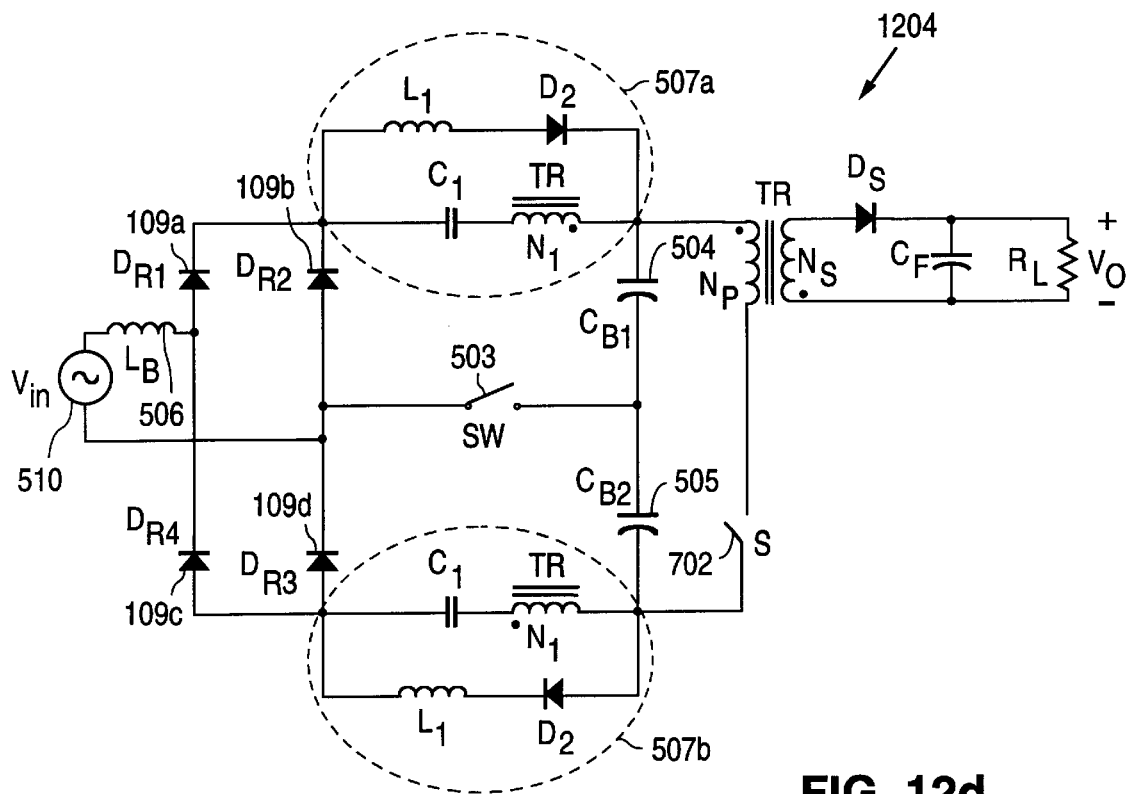


FIG. 12d

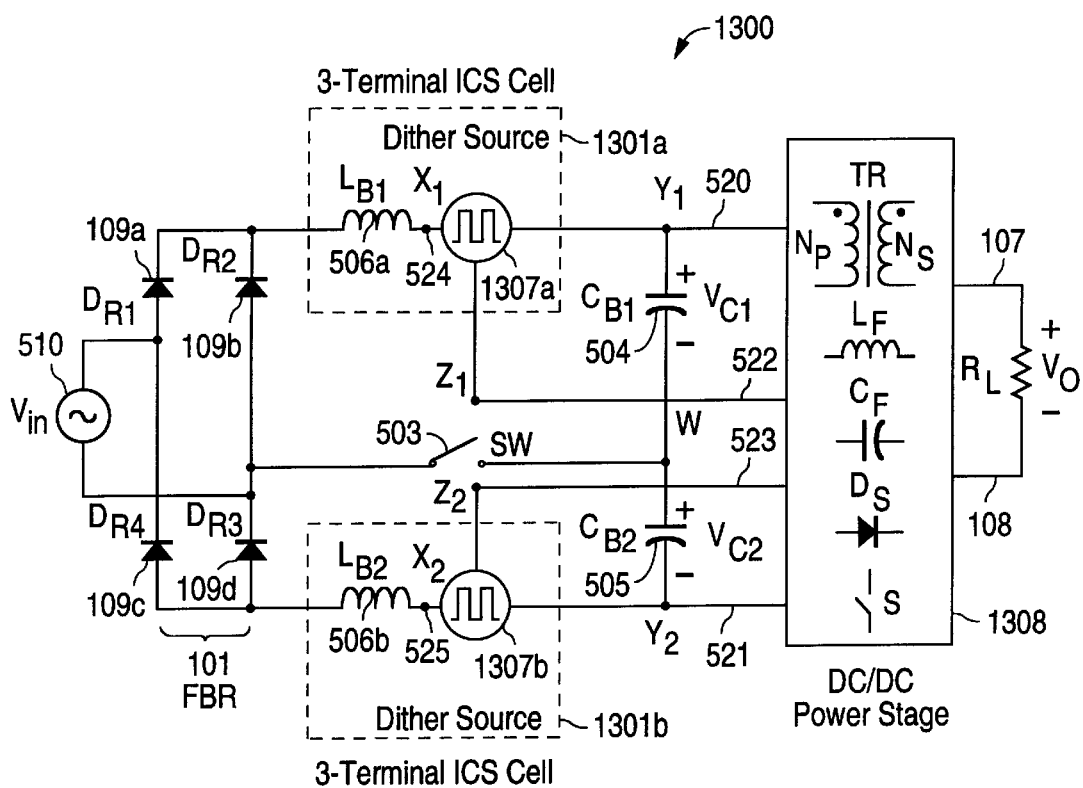


FIG. 13

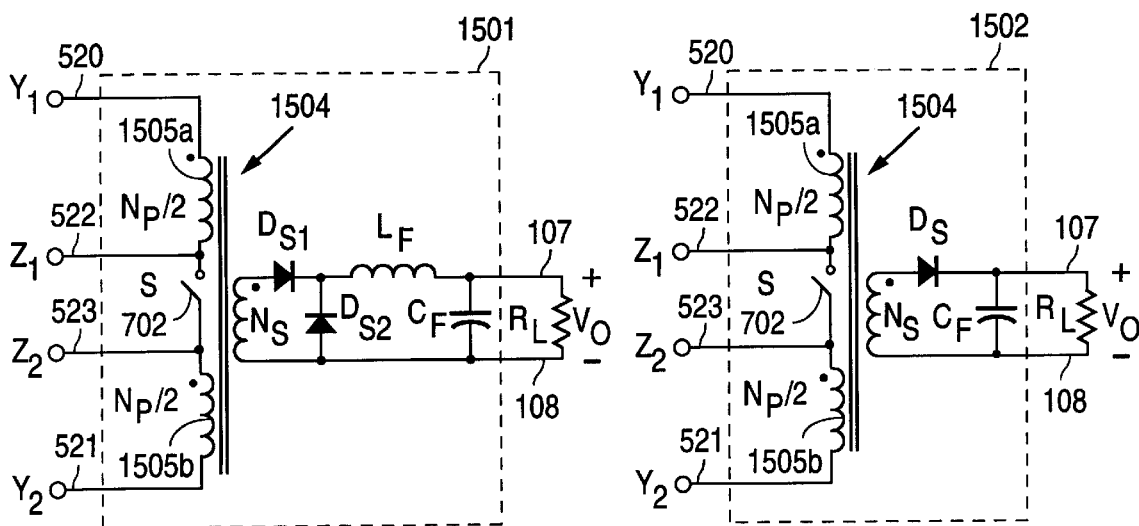


FIG. 15a

FIG. 15b

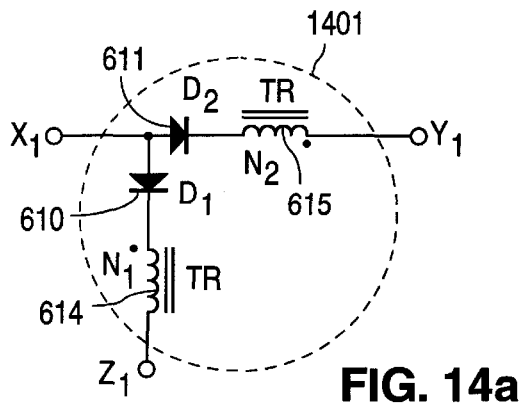


FIG. 14a

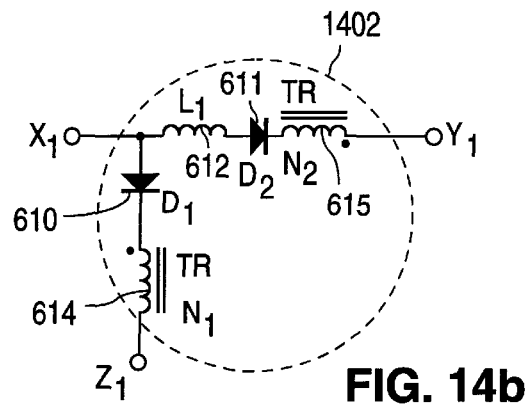


FIG. 14b

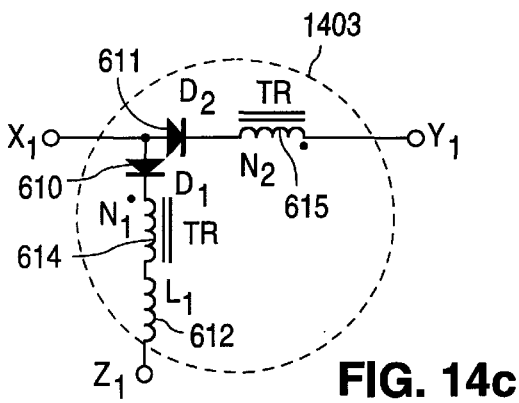


FIG. 14c

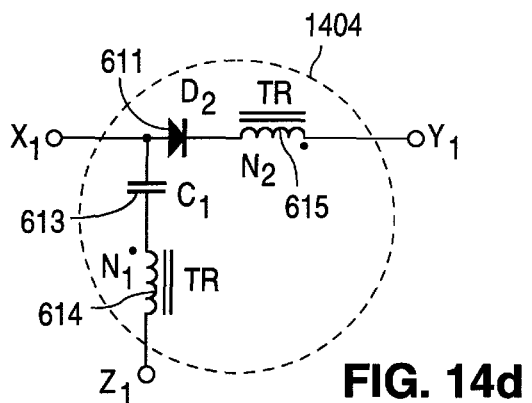


FIG. 14d

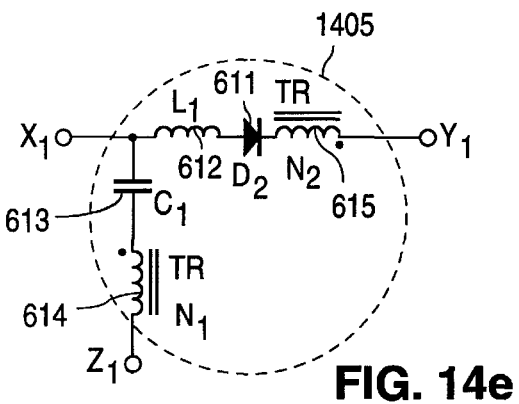


FIG. 14e

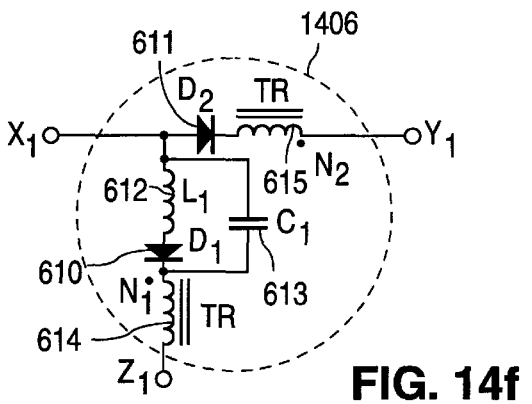


FIG. 14f

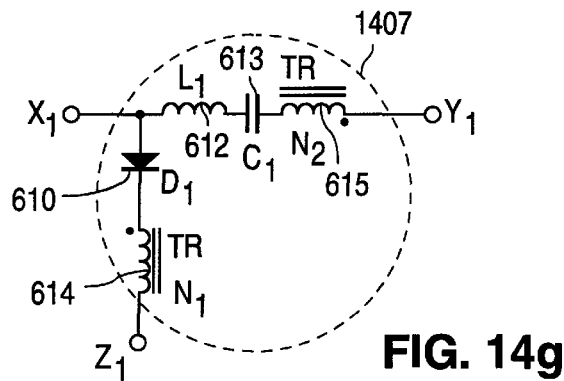


FIG. 14g

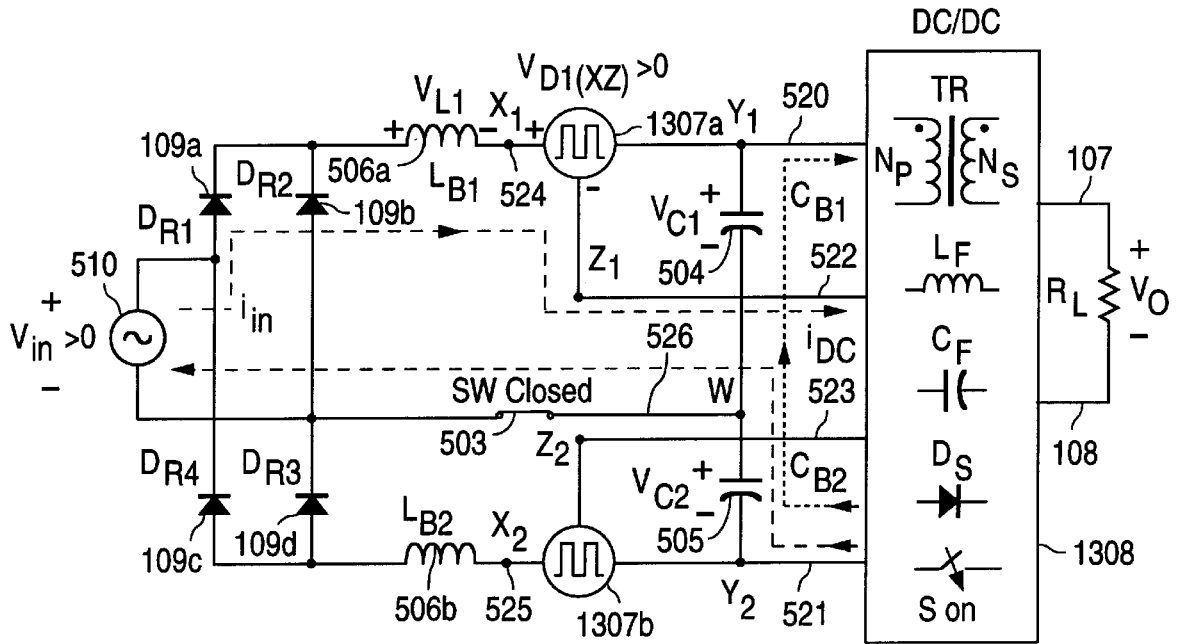


FIG. 16a

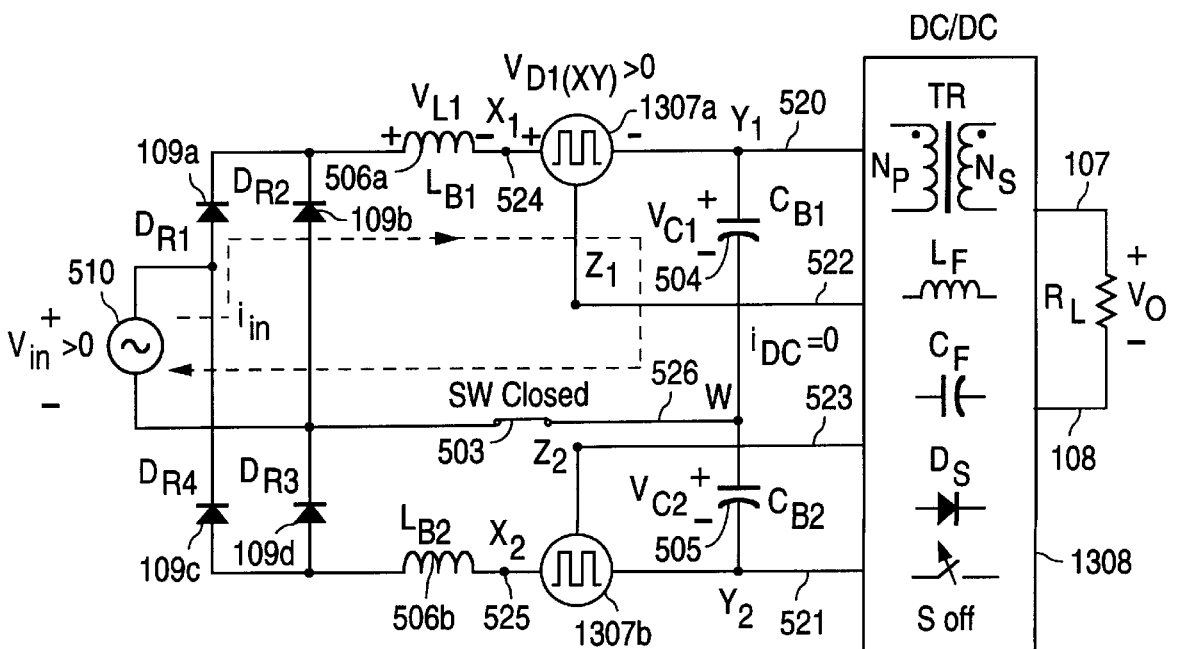


FIG. 16b

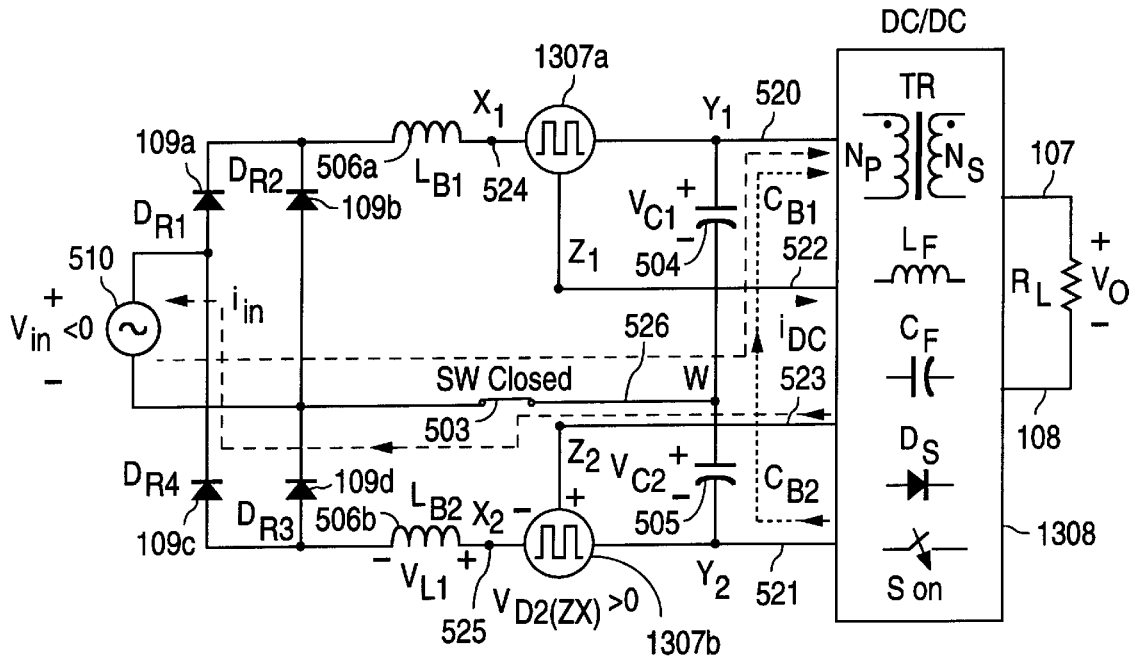


FIG. 16c

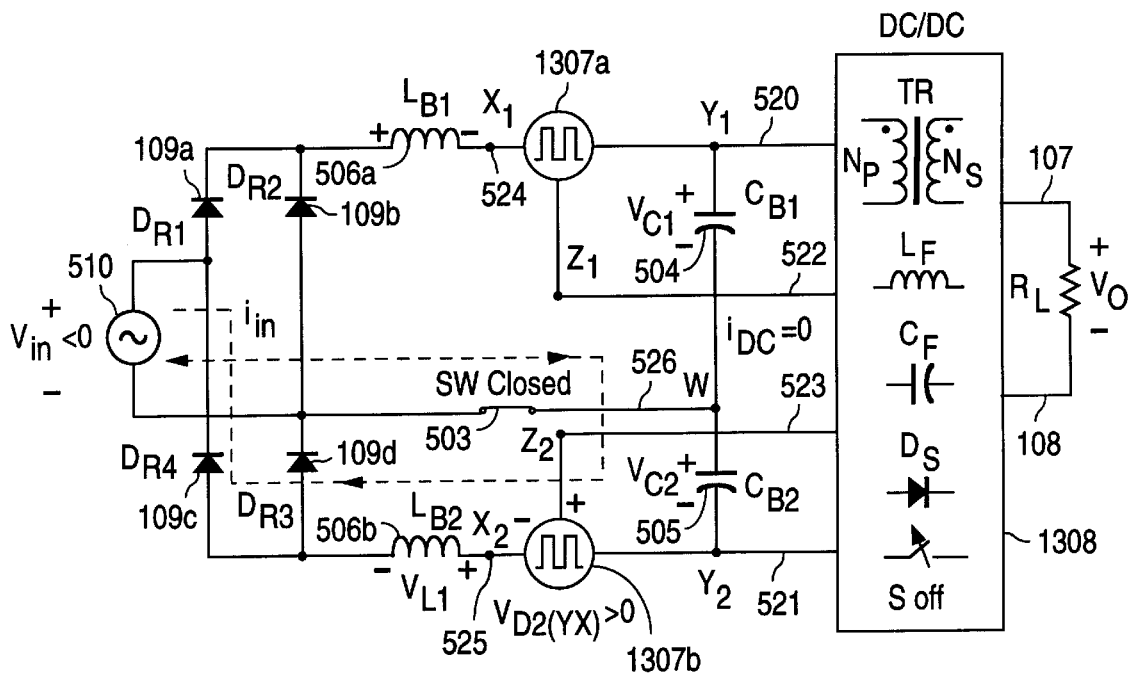


FIG. 16d

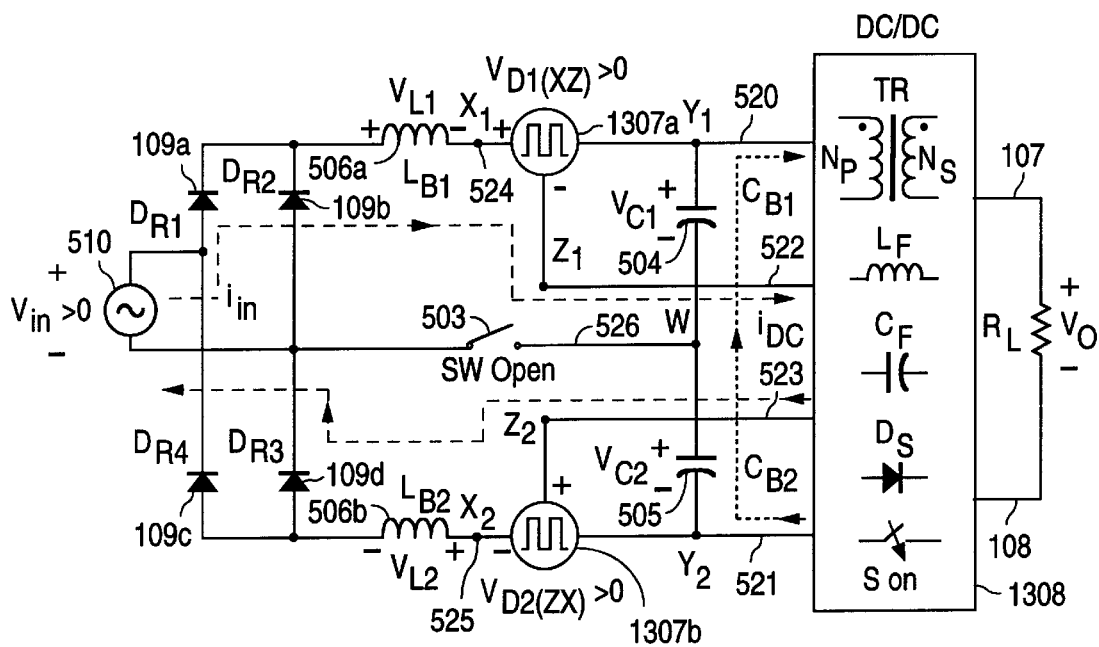


FIG. 17a

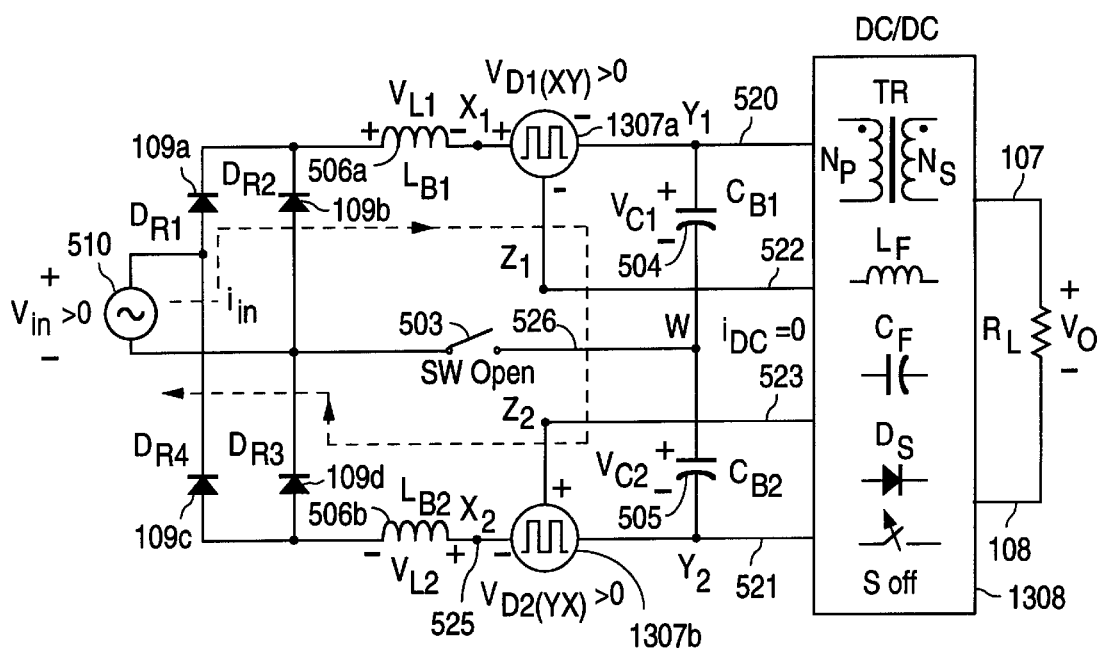


FIG. 17b

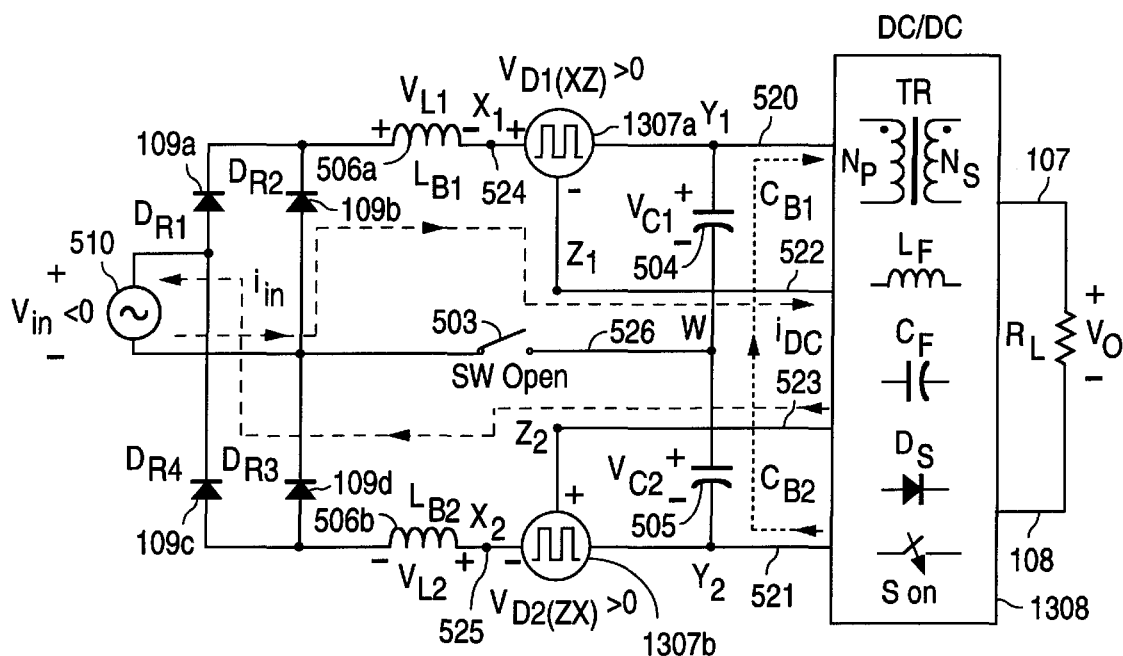


FIG. 17c

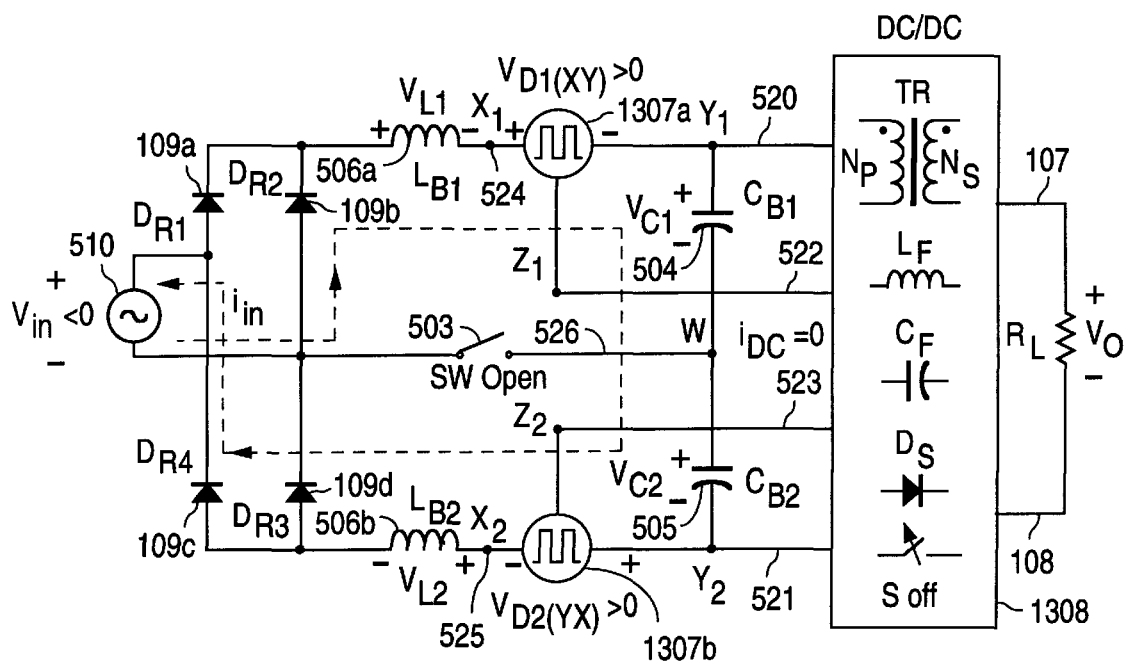


FIG. 17d

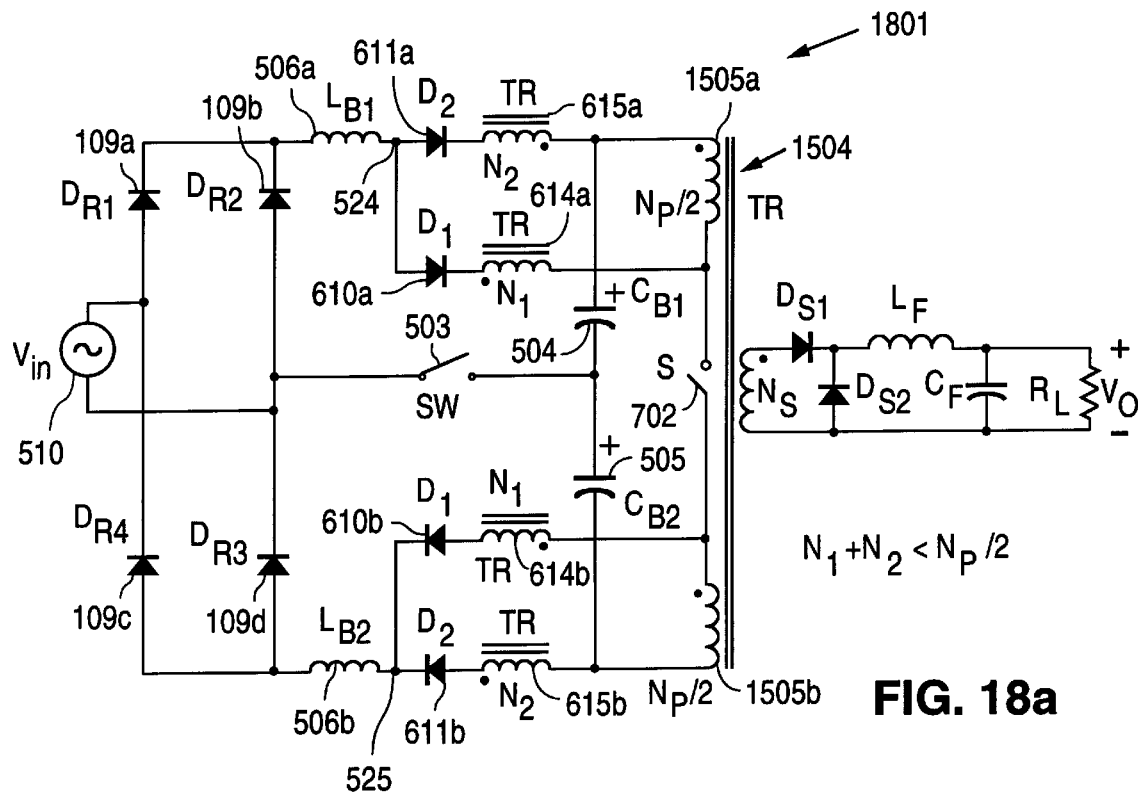


FIG. 18a

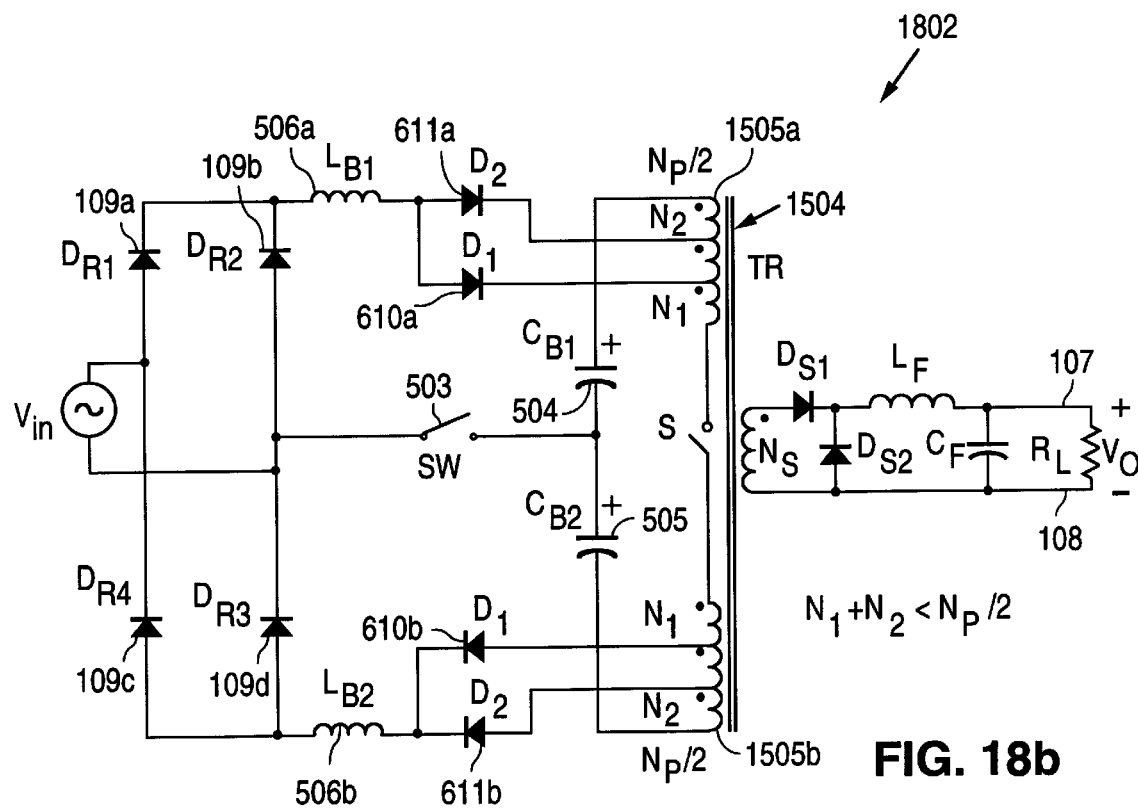


FIG. 18b

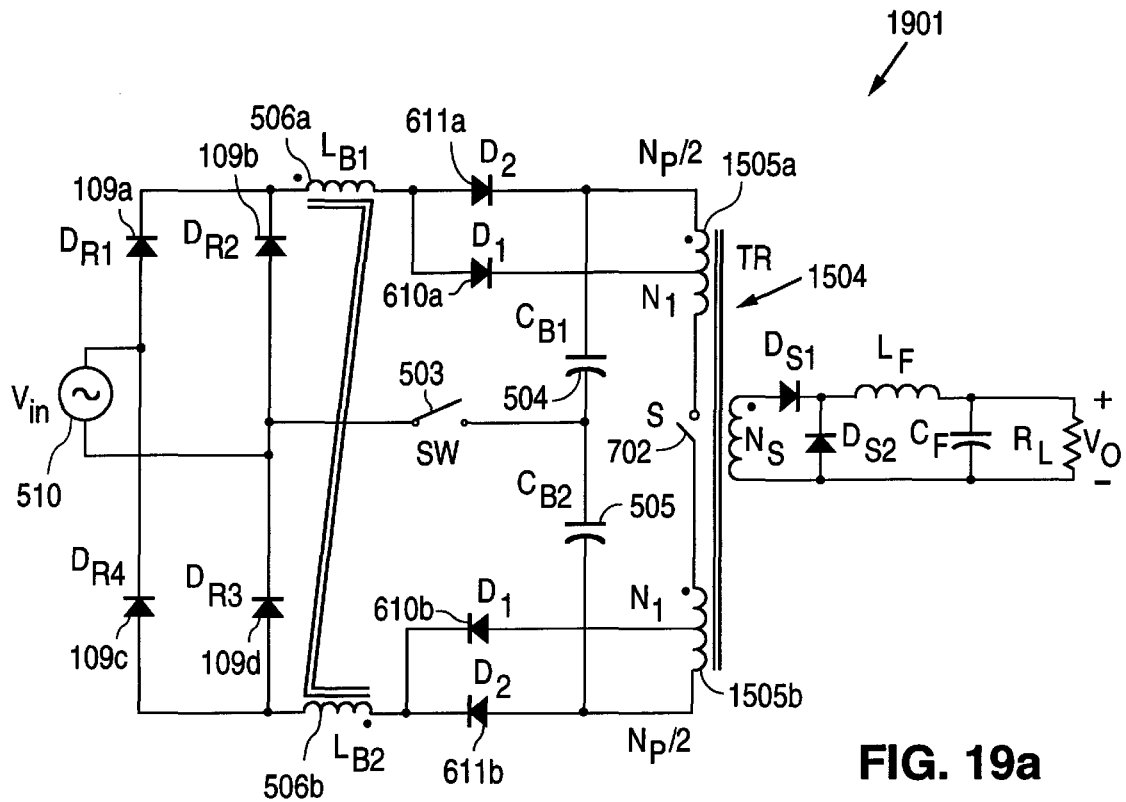


FIG. 19a

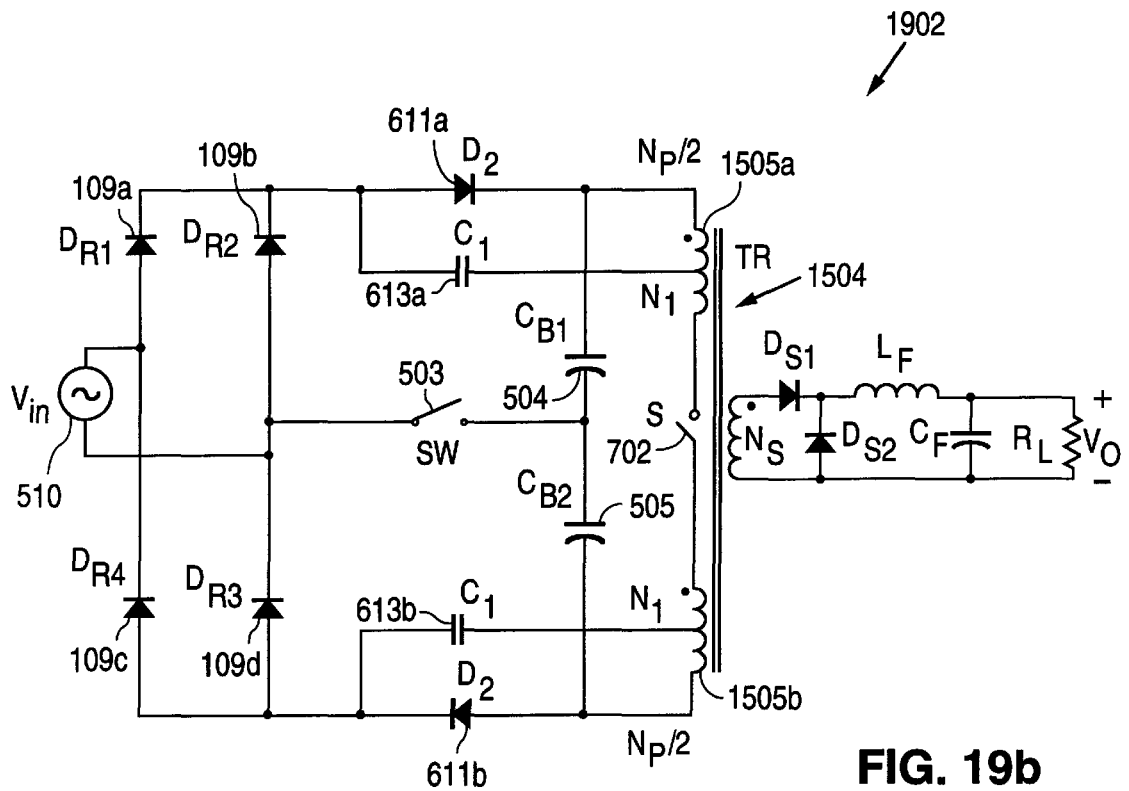


FIG. 19b

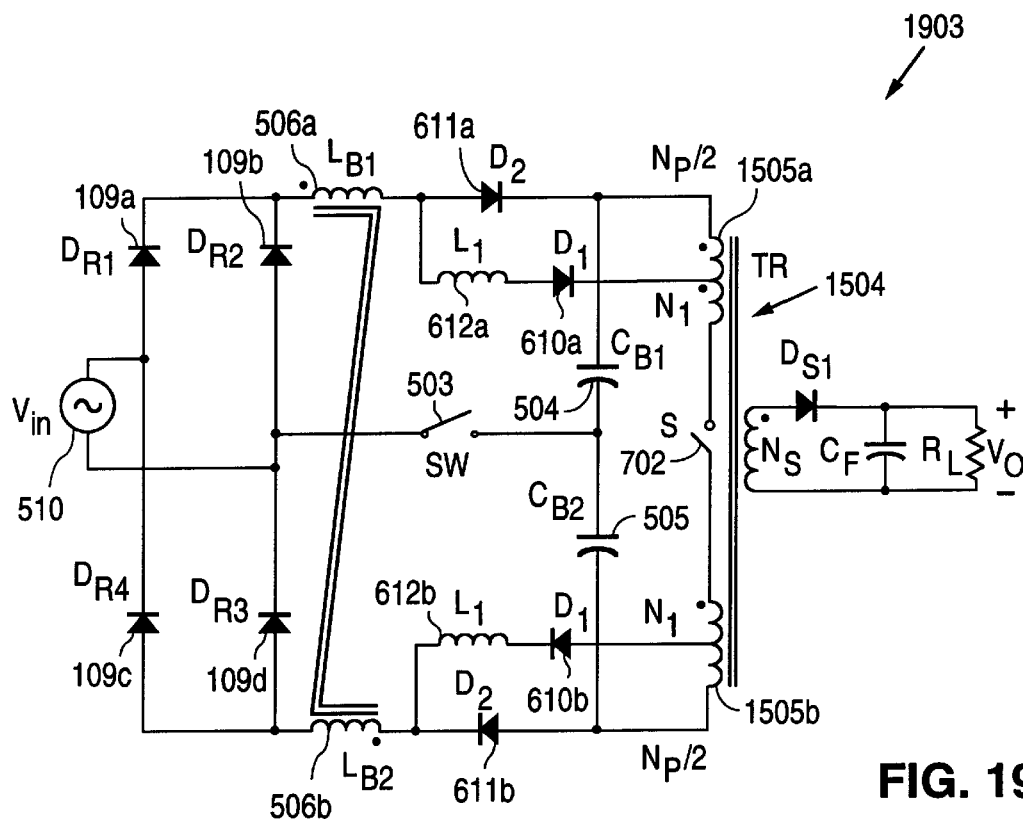


FIG. 19c

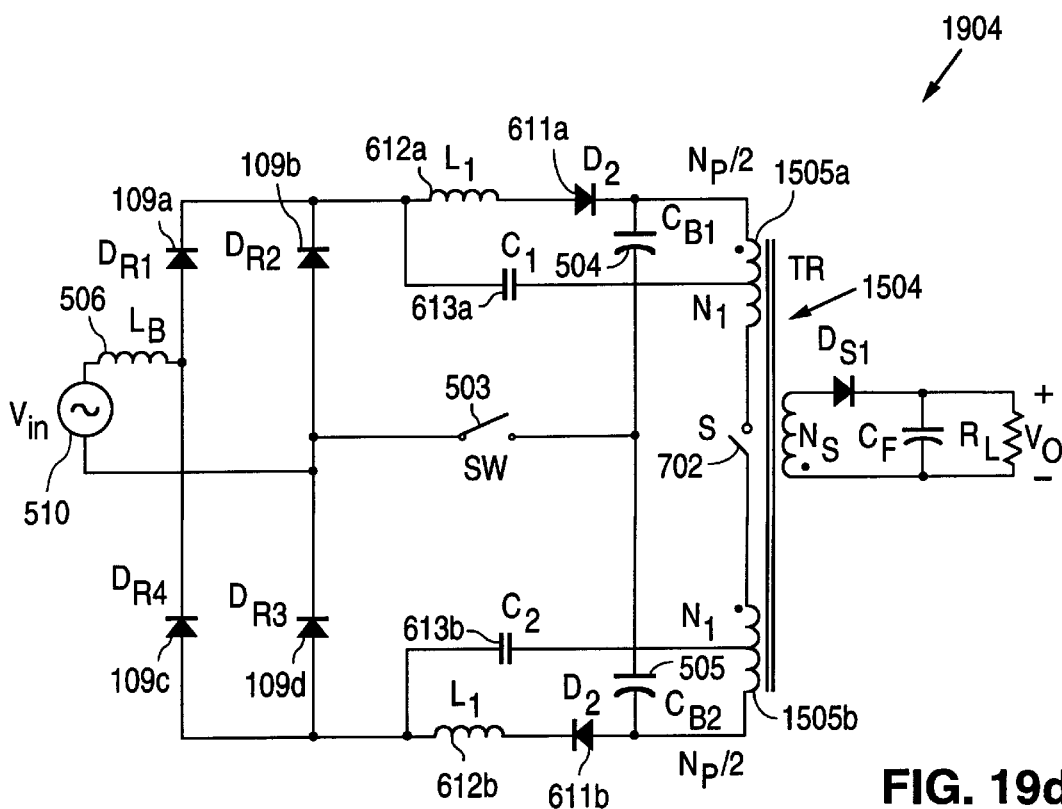


FIG. 19d

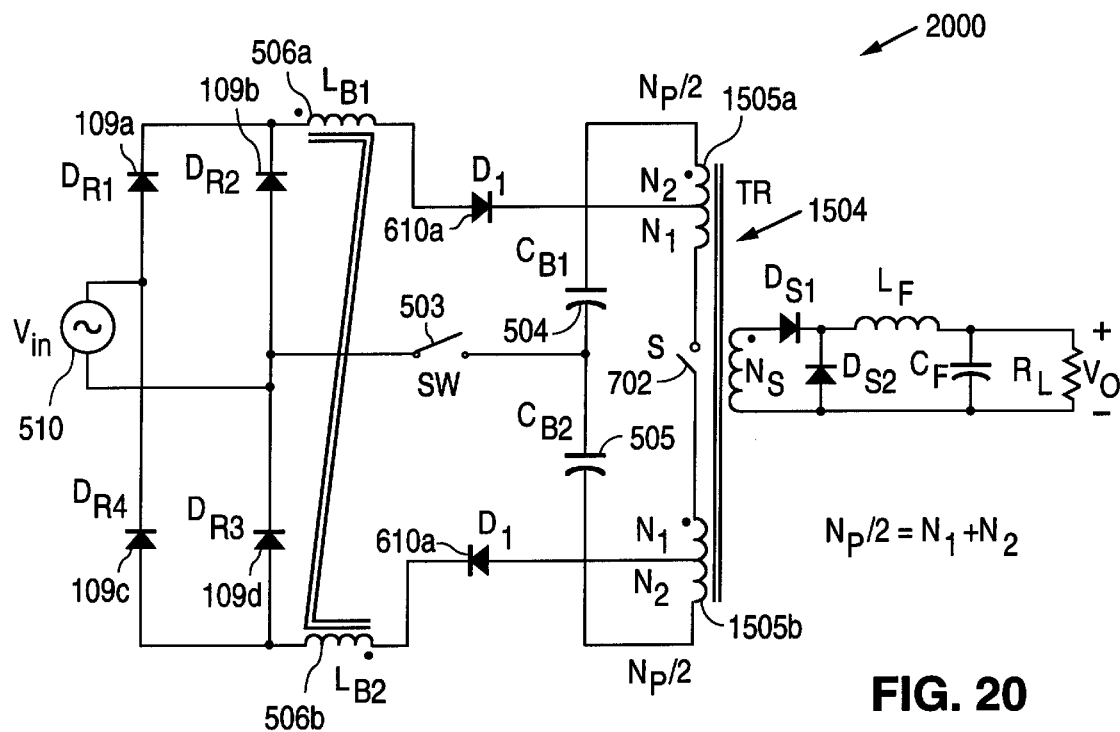


FIG. 20

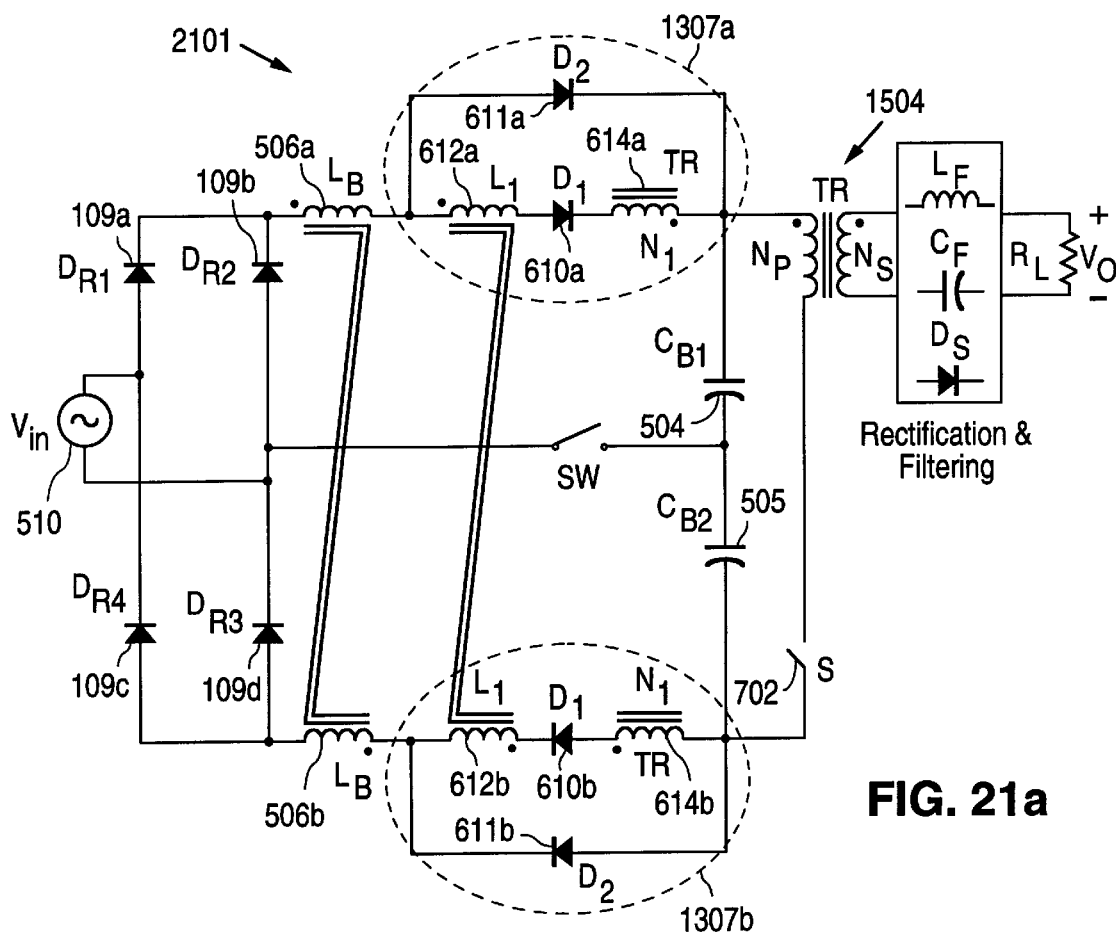


FIG. 21a

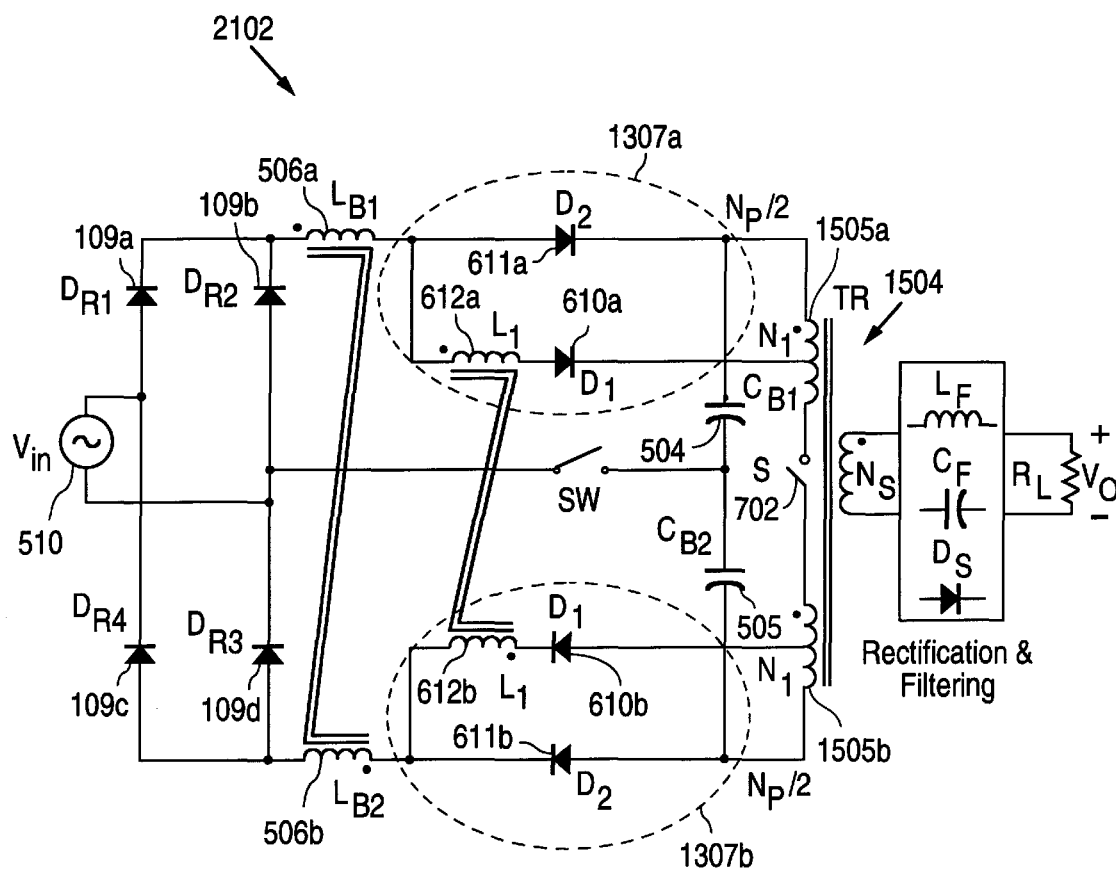


FIG. 21b

SINGLE-STAGE INPUT CURRENT SHAPING TECHNIQUE WITH VOLTAGE-DOUBLER RECTIFIER FRONT-END

BACKGROUND OF THE INVENTION

1. Field of the Invention

The present invention relates to circuits for power conversion applications. In particular, the present invention relates to a single-stage input-current-shaping converter for universal line-range applications.

2. Description of the Related Art

The harmonic content of a current drawn by an electronic equipment from the AC mains is regulated by a number of standards. To comply with these standards, input-current shaping (ICS) of off-line power supplies is necessary. At present, various passive and active ICS techniques are used. While the passive techniques are preferred in many cost-sensitive applications, active ICS techniques are used in most applications because of their superior performance.

The most commonly used active approach that meets both high power and high quality requirements is the "two-stage" approach. In this approach, a non-isolated boost-like converter, which is controlled so that the rectified line current follows the rectified line voltage, is used as the input stage that creates an intermediate DC bus with a relatively large ripple at the second-harmonic frequency of the line. This ICS stage is then followed by a DC/DC converter which provides isolation and high-bandwidth voltage regulation. The DC/DC converter attenuates the second-harmonic ripple to an acceptable level. At a high-power level, the ICS stage is operated in the continuous-conduction mode (CCM), while at a lower power level, a discontinuous-conduction mode (DCM) is commonly used. Compared to CCM, DCM is simpler to control.

To reduce component count and to improve performance, a number of "single-stage" ICS techniques are introduced recently. Under a single-stage approach, input-current shaping, isolation, and high-bandwidth control are performed in a single step (i.e., without creating an intermediate DC bus). Generally, a single-stage ICS converter uses an internal storage capacitor to buffer between an instantaneously varying input power and a constant output power.

Among single-stage input-current-shaping (S²ICS) circuits are a number of circuits described in the following publications: (a) "A Switching Power Supply of 99% Power Factor by the Dither Rectifier," by I. Takahasi et al., *IEEE International Telecommunications Energy Conf. (INTELEC) Proc.*, pp. 714–719, November 1991; (b) "Integrated High-Quality Rectifier-Regulators," by M. Madigan et al., *IEEE Power Electronics Specialists Conf. (PESC) Record*, pp. 1043–1051, June 1992; (c) U.S. Pat. No. 5,301,095, entitled "High Power Factor AC/DC Converter," to S. Teramoto et al., filed on Sep. 28, 1992, and issued on Apr. 5, 1994; (d) "The Suppressing Harmonic Currents, MS (Magnetic Switch) Power Supply," by H. Watanabe et al., *IEEE International Telecommunication Energy Conf. (INTELEC) Proc.*, pp. 783–790, October 1995; (e) U.S. Pat. No. 5,600,546, entitled "Input Harmonic Current Corrected AC-to-DC Converter with Multiple Coupled Primary Windings," to F. M. S. Ho et al., filed on Oct. 16, 1996, and issued on Feb. 4, 1997; (f) U.S. Pat. No. 5,652,700, entitled "Low Cost AC-to-DC Converter Having Input Current with Reduced Harmonics," to F. S. Tsai et al., filed on Jan. 19, 1996, and issued on Jul. 29, 1997; (g) "A High Efficient Single Stage Single Switch High Power Factor AC/DC Converter with Universal Input," by J. Qian et al., *IEEE Applied Power*

Electronics Conference (APEC) Proc., pp. 281–287, February 1997; (h) U.S. Pat. No. 5,757,626, entitled "Single-Stage, Single-Switch Isolated Power-Supply Technique with Input-Current Shaping and Fast Output-Voltage Regulation," to M. M. Jovanovic et al., filed on Oct. 4, 1996, and issued on May 26, 1998; and (i) U.S. Pat. No. 5,790,389, entitled "Consolidated Soft-Switching AC/DC Converters," to G. Hua, filed on May 31, 1996, and issued on Aug. 4, 1998.

For many applications, single-switch S²ICS converters are particularly attractive because they can be implemented with only one semiconductor switch and a simple control. In the single-switch S²ICS circuits described in the references above, the single-switch S²ICS converters integrate a boost-converter front-end with a forward-converter or a flyback-converter DC/DC stage. For example, FIGS. 1–3 show single-switch S²ICS converters described in the above-referenced publications of Teramoto et al., Watanabe et al., and Tsai et al., respectively.

As shown in FIGS. 1–3, the front-ends of converters **100**, **200**, and **300** each include a full-bridge rectifier **101** connected to a boost converter including boost inductor **102**, boost rectifier **103**, and storage (bulk) capacitor **104**. The output portions of converters **100**, **200**, and **300** are conventional DC/DC, single-switch forward or flyback converters. In converter **100** of FIG. 1, boost inductor **102** is energized through capacitor **110** when switch **105** is closed. In converters **200** and **300** of FIGS. 2 and 3, boost inductors **102** are energized through windings **111** of transformers **206** and **306**, respectively.

In converter **100** of FIG. 1, boost inductor **102** operates in CCM, while in each of converters **200** and **300** of FIGS. 2 and 3, boost inductor **102** operates in DCM. The CCM operation offers a slightly higher efficiency over the DCM operation. However, the DCM operation provides a lower total harmonic distortion (THD) of the line current over the CCM operation.

As mentioned above, in an ICS application, the rectified line voltage contains a large ripple. This ripple propagates through the power stage, causing an increased output-voltage ripple at the rectified-line frequency (i.e., the second-harmonic frequency of the line). To eliminate the rectified-line-voltage component of the output-voltage ripple, the output-voltage feedback loop is designed with a bandwidth which is wide enough to attenuate the ripple to a desired value. The desired bandwidth, regulation accuracy, and control-loop stability are set by a proper selection of the voltage-loop compensation.

Although it has been demonstrated that the S²ICS converters described in the above-referenced publications can achieve the desired performance in a variety of applications, power supplies based on these approaches have significant difficulties meeting performance expectations in universal-line (e.g., 90–270 V AC) applications with a hold-up time requirement. For example, most of today's desktop computers and computer peripherals require power supplies that are capable of operating in the 90–270 V AC range and can provide a hold-up time of at least 10 ms. Generally, the hold-up time is the time during which a power supply must maintain its output voltage within a specified range after a drop-out of the line voltage. The hold-up time is used to orderly terminate the operation of a computer or to switch over to an uninterruptible-power-supply (UPS) operation after a line failure. The required energy to support the output voltage during the hold-up time is obtained from a properly-sized storage capacitor, such as capacitor **104**. Since the

energy stored in a capacitor is proportional to its capacitance and the square of the voltage across its terminals, the required capacitance increases with an increase of the hold-up time. Also, the same hold up time can be achieved by a smaller capacitance, if the voltage across the storage capacitor's terminals is higher.

Since voltage V_C across storage capacitor **104** varies with both the line voltage and the load current, converters **100**, **200**, and **300** in FIGS. 1–3 have difficulty in satisfying the wide line range and long hold-up time requirements. Specifically, in converters **100**, **200**, and **300**, only output voltage V_o across terminals **107** and **108** is regulated. Voltage V_C across storage capacitor **104** follows the root-mean-square (rms) variations of the line voltage. Therefore, since the universal-line range is 3:1 (90–270 V AC), voltage V_C also varies over a range 3:1. In addition, because storage capacitor **104** is the output filter of the boost converter, voltage V_C must be higher than the peak of the line voltage. As a result, for a line voltage of 270 V AC, voltage V_C is at least in the 380–390 V DC range. Moreover, storage capacitor voltage V_C increases as the load current decreases. In most applications, voltage V_C can be kept in the 410–420 V DC range. Thus, capacitor **104** can be implemented by a 450 V electrolytic capacitor. Since the capacitance of capacitor **104** is determined from the hold-up time requirement at the minimum line voltage (worst case), converters **100**, **200**, and **300** of FIGS. 1–3 each require a relatively bulky and expensive storage capacitor. Further, because voltage V_C , which represents an input voltage to the DC/DC output stage, varies over a wide range, conversion efficiency of the output stage is reduced. In contrast, under the two-stage approach, in which the storage capacitor voltage is independently regulated at approximately 380 V DC, a much smaller and, therefore, cheaper electrolytic capacitor rated at 450 V, or even 400 V, is adequate. In addition, in a two-stage approach, due to the regulated storage capacitor voltage V_C , the efficiency of the DC/DC output stage can be made higher than the efficiency of the single-stage approach in the converters of FIGS. 1–3. Relative to the two-stage approach, because of the size and the cost of the power supply necessary, the relatively large capacitor (i.e., storage capacitor **104**) required for a S^2 ICS converter is a significant drawback.

The performance of a conventional, universal-line-range power supply without ICS can be improved by a voltage-doubler rectifier, such as converter **400** shown in FIG. 4. In FIG. 4, converter **400** includes a voltage-doubler rectifier, which operates as a conventional full-bridge rectifier when range-select switch **401** is open, and as a voltage doubler when range-select switch **401** is closed. Generally, range-select switch **401** can be a mechanical or an electronic switch. When converter **400** is connected to a power line with a nominal line voltage of 220/240 V AC (European line), switch **401** is open. Conversely, when converter **400** operates from a power line with the nominal voltage of 100/120 V AC, switch **401** is closed. With range-select switch **401** in FIG. 4 open (i.e., operating from a 220/240 V AC power line), the front-end portion of converter **400** works as a conventional rectifier, and thus the output voltage V_C across the series-connected capacitors **402** and **403** is approximately equal to the peak of the line voltage.

In the voltage-doubler mode (i.e., when switch **401** is closed and converter **400** operates from the 100/120 V AC power line), capacitor **402** is charged to the peak of the line voltage through rectifier **109a** during a positive half-cycle of the line voltage, and capacitor **403** is charged to the peak of the line voltage through rectifier **109c** during a negative

half-cycle of the line voltage. In the voltage-doubler mode, rectifiers **109b** and **109d** do not conduct, being reverse-biased by voltages V_{C1} and V_{C2} of capacitors **402** and **403**, respectively. Because output voltage V_C of the front-end portion of converter **400** is the sum of capacitor voltages V_{C1} and V_{C2} , (i.e., $V_C = V_{C1} + V_{C2}$), output voltage V_C in the voltage-doubler mode is twice the peak of the line voltage. Therefore, due to voltage-doubling, output voltage V_C of the front-end portion of converter **400** is approximately the same for both 100/120 V AC and 220/240 V AC power lines. Specifically, for the universal-line range 90–270 V AC, output voltage V_C of the front-end of converter **400** varies from approximately 180 V AC to 270 V AC. Since this resulting voltage range is much narrower than the corresponding voltage range of the conventional wide-range full-bridge rectifier, the conversion efficiency of the DC/DC output portion of converter **400** is improved. In addition, because voltage V_C of converter **400** is at least twice as high as that of the wide-range full-bridge rectifier, the total capacitance (i.e., the sum of the capacitances of capacitors **402** and **403**) required for a given hold-up time of converter **400** is approximately one-half of that required in the wide-range full-bridge rectifier. Finally, since each capacitor sees a lower voltage across its terminals, storage capacitors **402** and **403** need only be rated at 250 V DC, or even 200 V DC. Capacitors with a lower voltage rating are usually significantly less expensive than their higher voltage rated counterparts.

Therefore, in a universal-line application with a hold-up time requirement, a front-end with voltage-doubler rectifier offers a number of advantages over a conventional, wide-range, full-wave rectifier such as higher conversion efficiency, smaller size, and lower cost.

SUMMARY OF THE INVENTION

In accordance with the present invention, a single-stage input current shaping (S^2 ICS) converter coupled to receive a line voltage is provided. A converter of the present invention includes (a) a front-end stage receiving the line voltage, which includes a full-bridge rectifier, a boost inductor, and a dither source, (b) a storage capacitor coupled to be charged by the boost inductor for storing energy for output; and (c) a DC/DC power converter stage for transferring the energy stored in the storage capacitor to an output load. The boost inductor can be coupled on the AC side, between the line voltage and the full-bridge rectifier, or on the DC side between the full-bridge rectifier and the dither source. The dither source includes two paths: a first path for charging and a second path for discharging the boost inductor at a high frequency. Each of the two paths includes a series connection of a transformer winding and at least one of the following components: a diode, an inductor, and a capacitor. The DC/DC power converter stage includes a transformer inductively coupled to the transformer windings of the two paths of the dither source. The DC/DC converter stage is controlled by a switch which, when closed, enables a current to be drawn by the DC/DC converter stage from the storage capacitor. As the DC/DC converter draws current from the storage capacitor, the boost inductor stores energy in its magnetic field. When the switch is open, the energy in the boost inductor discharges into the storage capacitor.

In one embodiment, the two paths of the dither source are connected in parallel, thereby the dither source having two terminals: a first terminal being coupled to the boost inductor and a second terminal being coupled to both the storage capacitor and the DC/DC converter stage. The transformer winding of the first path of the dither source (for charging the

boost inductor) is coupled to generate a voltage in opposition to the storage-capacitor voltage when the switch of the DC/DC converter is closed, and the transformer winding of the second path of the dither source (for discharging the boost inductor) is coupled to generate a voltage of the same direction as the storage-capacitor voltage when the switch of the DC/DC converter is open, thereby reducing the voltage of the storage capacitor.

In another embodiment, the two paths of the dither source are coupled at only one terminal, which is coupled to the boost inductor, thereby the dither source having three terminals: a first terminal being coupled to the boost inductor, a second terminal, which is the second terminal of the second path of the dither source (for discharging the boost inductor), being coupled to both the storage capacitor and the DC/DC converter stage, and a third terminal, which is the second terminal of the first path of the dither source (for charging the boost inductor), being coupled to any pulsating node (e.g., to the switch) of the DC/DC converter stage. The transformer winding of the first path of the dither source is coupled to generate a voltage in opposition to the rectified line voltage when the switch of the DC/DC converter is closed, and the transformer winding of the second path of the dither source is coupled to generate a voltage in opposition to the rectified line voltage when the switch of the DC/DC converter is open, thereby reducing the voltage of the storage capacitor. The transformer windings of the two paths of the 3-terminal dither source can be also implemented by tapping the primary winding of the transformer of the DC/DC converter stage, i.e., the transformer windings of the two paths of the 3-terminal dither source can be implemented as portions of the primary winding of the transformer of the DC/DC converter stage.

The S²ICS converter of the present invention further includes a second boost inductor, a second dither source, and a second storage capacitor, as well as a range-select switch, which is coupled between the full bridge rectifier and the storage capacitors. The range-select switch can be controlled according to the voltage range of the line voltage. Specifically, in a universal-line application, when operating at a low line range (i.e., from a 100/120 V AC power line), the range-select switch is closed and the front-end portion of the S²ICS converter operates in a voltage-doubler mode, wherein the first boost inductor, the first dither source, and the first storage capacitor are active during a positive half-cycle of the line voltage, and the second boost inductor, the second dither source, and the second storage capacitor are active during a negative half-cycle of said line voltage. When operating at a high line range (i.e., from a 220/240 V AC power line), the range-select switch is open and the full-bridge rectifier operates in the full-bridge rectifier mode, wherein each pair of the two boost inductors, the two dither sources, and the two storage capacitors is connected in series.

The two boost inductors on the DC side of the front-end stage can be also implemented as coupled inductors. Furthermore, an inductor of the first dither source can be inductively coupled to the corresponding inductor of the second dither source.

The DC/DC converter stage can be implemented by a pulse-width-modulated forward converter, flyback converter, half-bridge converter, and full-bridge converter. However, any other isolated DC/DC converter configuration, e.g., various soft-switching converter configurations, can be also used in conjunction with the present invention. In configurations involving 3-terminal dither sources, however, only single-ended DC/DC con-

verter stages such as a single-ended forward converter or a single-ended flyback converter can be used.

Due to the voltage-doubler-rectifier front-end, reduction of line-current harmonics can be achieved with a higher conversion efficiency, as compared to a corresponding S²ICS converter with a conventional full-bridge rectifier. In addition, a converter of the present invention requires storage capacitors of a lower voltage rating and a smaller total capacitance than the conventional S²ICS counterpart. The present invention thereby reduces the size and the cost of the power supply.

The present invention is better understood upon consideration of the detailed description below and the accompanying drawings.

BRIEF DESCRIPTION OF THE DRAWINGS

FIG. 1 shows single-switch single-stage input current shaping (S²ICS) converter **100** of the prior art.

FIG. 2 shows S²ICS converter **200** of the prior art.

FIG. 3 shows S²ICS converter **300** of the prior art.

FIG. 4 shows a conventional universal-line-range converter **400** without input current shaping, but including a voltage-doubler-rectifier front-end of the prior art.

FIG. 5 shows the generalized circuit diagram of S²ICS converter **500** of the present invention, having a voltage-doubler front-end which employs 2-terminal ICS cells **501a** and **501b**.

FIGS. 6(a)–6(g) show various dither sources **601–607** that can be employed to implement dither sources **507a** and **507b** in 2-terminal ICS cells **501a** and **501b** in converter **500** of FIG. 5.

FIGS. 7(a)–7(d) show examples of DC/DC power converter stages that can implement DC/DC power converter stage **508** of FIG. 5.

FIGS. 8(a)–8(d) show the operation modes of converter **500** of FIG. 5 at a low line-range (e.g., connected to the 100/120 V AC power line).

FIGS. 9(a)–9(d) show the operation modes of converter **500** of FIG. 5 at a high line-range (e.g., connected to the 220/240 V AC power line).

FIG. 10 shows converter **1000**, which is a variation of converter **500** of FIG. 5, having a single boost inductor **506** on the AC side of full-bridge rectifier **101** (i.e., having a distributed 2-terminal ICS cells).

FIG. 11 shows converter **1100**, which is a variation of converter **500** of FIG. 5, having coupled DC-side boost inductors **506a** and **506b**.

FIGS. 12(a)–12(d) shows converters **1201** and **1203**, and converters **1202** and **1204**, which are exemplary converters implementing converter **1100** of FIG. 11 and converter **1000** of FIG. 10, respectively.

FIG. 13 is a generalized circuit diagram of S²ICS converter **1300** of the present invention, having a voltage-doubler front-end which employs 3-terminal ICS cells **1301a** and **1301b**.

FIGS. 14(a)–14(g) show various dither sources **1401–1407** that can be used to implement dither source **1307a** in 3-terminal ICS cell **1301a** in converter **1300** of FIG. 13.

FIGS. 15(a) and 15(b) show examples of DC/DC power converter stages that can implement DC/DC power converter stage **1308** of FIG. 13.

FIGS. 16(a)–16(d) show the operation modes of converter **1300** of FIG. 13 at a low line-range (e.g., connected to the 100/120 V AC power line).

FIGS. 17(a)–17(d) show the operation modes of converter 1300 of FIG. 13 at a high line-range (i.e., connected to the 220/240 V AC power line).

FIGS. 18(a) and (b) show implementations 1801 and 1802 of converter 1300 of FIG. 13, using dither DCM sources 1401 of FIG. 14(a), in which windings 614 and 615 are implemented, respectively, as additional windings coupled to transformer 1504 and as portions of split primary windings 1505a and 1505b of transformer 1504.

FIGS. 19(a)–(d) show converters 1901–1904, which implement converter 1300 with tapped primary windings; converters 1901 and 1903 are shown including coupled DC-side boost inductors 506a and 506b, and converters 1902 and 1904 are shown including AC-side boost inductor 506.

FIG. 20 shows converter 2000, which implements converter 1802 of FIG. 18(b) with a reduced number of components.

FIGS. 21(a) and 21(b) show converters 2101 and 2102, which implement converters 500 and 1300, using current-type dither sources with coupled inductors 612a and 612b.

FIG. 22 is a circuit diagram of the 100-W (5 V/20 A) experimental converter.

DETAILED DESCRIPTION OF THE PREFERRED EMBODIMENTS

An S²ICS converter with a voltage-doubler front-end of the present invention can be implemented in a number of ways. To simplify this detailed description and to facilitate correspondence among the various figures, like elements in this detailed description are assigned like reference numerals. FIG. 5 shows a generalized circuit diagram of S²ICS converter 500 with a voltage-doubler front-end having 2-terminal input-current shaping (ICS) cells 501a and 501b. As shown in FIG. 5, two identical 2-terminal ICS cells 501a and 501b are inserted between full-bridge rectifier 101 and series-connected storage capacitors 504 and 505, in both the positive and the negative rails. Generally, each of 2-terminal ICS cells 501a and 501b includes a boost inductor (e.g., boost inductor 506a) and a high-frequency dither source (e.g., dither source 507a) connected in series. The dither source (e.g., dither source 507a) charges and discharges the associated boost inductor (e.g., boost inductor 506a) at a high frequency, so that the average inductor current (which equals the line current) follows the line voltage. The DC/DC power converter stage 508 in FIG. 5 can be implemented by any known isolated power-conversion topology.

Generally, a high-frequency dither source is generated by utilizing a switching waveform in the DC/DC power converter stage. FIGS. 6(a)–6(g) show various dither sources 601–607. Specifically, FIGS. 6(a)–6(g) show (a) DCM source 601, (b) CCM current source 602, (c) CCM current source 603, (d) CCM voltage source 604, (e) CCM voltage/current source 605, (f) CCM voltage/current source 606, and (g) CCM resonant source 607. Each of implementations 601–607 uses a combination of diodes such as diode 610 (FIGS. 6(a), 6(b), 6(c), 6(f), and 6(g)) and passive components such as inductor 612 (FIGS. 6(b), 6(c), 6(e), 6(f), and 6(g)), capacitor 613 (FIGS. 6(d), 6(e), 6(f), and 6(g)), and windings 614 and 615 (FIGS. 6(a)–6(g)) of the transformer in DC/DC power converter stage 508 of FIG. 5. In each of dither sources 601–607 of FIGS. 6(a)–6(g), a high-frequency signal is obtained by windings 614 and 615. In conjunction with all dither sources in FIG. 6, except DCM source 601 of FIG. 6(a), boost inductors 506a and 506b operate in CCM. In each of dither sources 601–607, the

charging and discharging paths of boost inductors 506a and 506b are different. If the number of turns N_2 of winding 615 is less than number of turns N_1 of winding 614 (i.e., $N_2 < N_1$), boost inductors 506a and 506b charge through windings 614 and discharge through windings 615. When boost inductors 506a and 506b charge, the voltage across windings 614 opposes the voltage across capacitors 504 and 505, and the voltages across boost inductors 506a and 506b are each positive. For proper operation, number of turns N_1 of winding 614 should be selected to be $0 < N_1 \leq N_p/2$, where N_p is the number of turns of the primary winding of the transformer in DC/DC isolated power converter stage 508. When boost inductors 506a and 506b discharge, the voltage across windings 615 is in the same direction as the voltage across storage capacitors 504 and 505. Therefore, windings 615 effectively increase the reset voltage across boost inductors 506a and 506b. However, converter 500 of FIG. 5 properly operates even when the number of turns N_2 of windings 615 is zero.

FIGS. 7(a)–7(d) show DC/DC power converter stages 701–704 which can each be used to implement power converter stage 508 of FIG. 5. Specifically, FIGS. 7(a)–7(d) show, respectively, a pulse-width-modulated (PWM) forward converter 701, flyback converter 702, half-bridge converter 703, and full-bridge converter 704. However, any of other isolated DC/DC converter configurations, e.g., various soft-switching isolated converters, can also be used in conjunction with the present invention. DC/DC converter stages 701–704 of FIG. 7 can be controlled using any PWM control technique. Generally, the duty cycle of DC/DC converter stage 508 of FIG. 5 is controlled by sensing the output voltage to achieve a tight output voltage regulation and a fast transient response, while input current shaping is achieved by ICS cells 501a and 501b. Since DC/DC converter stages 701–704 of FIG. 7 are known in the art, further description of these circuits is omitted.

FIGS. 8(a)–8(d) and 9(a)–9(d) show, respectively, the operation modes of S²ICS converter 500 of FIG. 5 at a low line-range (i.e., when connected to a 100/120 V AC power line) and at a high line-range (e.g., connected to a 220/240 V AC power line). In the low line-range (i.e., FIGS. 8(a)–8(d)), range-select switch 503 is closed and the front end of converter 500 operates in the voltage-doubler mode, in which diode 109a, boost inductor 506a, and dither source 507a are active during a positive half cycle of the line voltage (i.e., voltage $v_{in} > 0$; v_{in} being the input line voltage), and diode 109c, boost inductor 506b, and dither source 507b are active during a negative half cycle of the line voltage (i.e., voltage $v_{in} < 0$).

As shown in FIG. 8(a), during a positive half cycle of the line voltage, with the switch in DC/DC power stage 508 (e.g., switch 702 of FIG. 7) closed, voltage V_{D1} across dither source 507a is at its maximum (i.e., $V_{D1} = V_{D1max} > 0$, where $V_{D1max} < (V_{C1} + V_{C2})/2 \approx V_{C1}$; V_{C1} and V_{C2} being the voltages across storage capacitors 504 and 505, respectively) and opposes voltage V_{C1} across storage capacitor 504. If the instantaneous line voltage is larger than the difference between voltage V_{C1} across storage capacitor 504 and voltage V_{D1max} across dither source 507a (i.e., $v_{in} > V_{C1} - V_{D1max}$), then voltage V_{L1} across boost inductor 506a (given by $v_{L1} = v_{in} + V_{D1max} - V_{C1}$) is positive and line current i_{in} increases, thereby storing energy in boost inductor 506a. (Line current i_{in} cannot flow until the instantaneous line voltage is smaller than the difference between voltage V_{C1} across storage capacitor 504 and voltage V_{D1max} across dither source 507a, thereby resulting in a distortion of the line current around zero crossing.) At the same time, input

current i_{DC} flowing into DC/DC power stage **508** is provided by storage capacitors **504** and **505**. When the switch in DC/DC power stage **508** opens (FIG. **8(b)**), input current i_{DC} into DC/DC power stage **508** falls to zero, and, in addition, voltage v_{D1} across dither source **507a** changes sign (i.e., $V_{D1}=V_{D1min}<0$), thus increasing the total voltage opposing the line voltage. Consequently, voltage v_{L1} across boost inductor **506a** (given by $v_{L1}=v_{in}-|V_{D1min}|-V_{C1}$) becomes negative, current i_{in} decreases, and boost inductor **506a** discharges. During boost inductor **506a**'s discharging period, the energy stored in the magnetic field of boost inductor **506a** is transferred to storage capacitor **504**.

During a negative half cycle of the line voltage, S²ICS converter **500** operates in a similar manner as during a positive half cycle, except that diode **109c**, boost inductor **506b**, and dither source **507b** are active, as illustrated in FIGS. **8(c)** and **8(d)**.

When S²ICS converter **500** of FIG. **5** operates in a high line-range (i.e., from a 220/240 V AC power line), range-select switch **503** is open and the front-end portion of converter **500** operates as a conventional full-bridge rectifier. As shown in FIGS. **9(a)**–**9(d)**, when operating in the conventional full-bridge-rectifier mode, boost inductors **506a** and **506b**, dither sources **507a** and **507b**, and storage capacitors **504** and **505** are connected in series.

As shown in FIG. **9(a)**, during a positive half cycle of the line voltage, with the switch in DC/DC power stage **508** (e.g., switch **702** of FIG. **7**) closed, voltages v_{D1} and V_{D2} across dither sources **507a** and **507b** are each at their maximum (i.e., $v_{D1}=V_{D1max}>0$ and $v_{D2}=V_{D2max}>0$, where $V_{D1max}\approx V_{D2max}<(V_{C1}+V_{C2})/2$), opposing voltages V_{C1} and V_{C2} across storage capacitors **504** and **505**, respectively. If the instantaneous line voltage is larger than the difference between the sum of voltages V_{C1} and V_{C2} across storage capacitors **504** and **505**, and the sum of voltages V_{D1max} and V_{D2max} across dither sources **507a** and **507b** (i.e., $v_{in}>V_{C1}+V_{C2}-(V_{D1max}+V_{D2max})$), then the sum of voltages v_{L1} and v_{L2} across boost inductors **506a** and **506b**, i.e., $v_{L1}+v_{L2}=v_{in}+(V_{D1max}+V_{D2max})-(V_{C1}+V_{C2})$, is positive and line current i_{in} through boost inductors **506a** and **506b** increases. (Line current i_{in} cannot flow until the instantaneous line voltage is smaller than the difference between the sum of voltages V_{C1} and V_{C2} across storage capacitors **504** and **505**, and the sum of voltages V_{D1max} and V_{D2max} across dither sources **507a** and **507b**, thereby resulting in a distortion of the line current around zero crossing.) Consequently, the increased current i_{in} stores energy in the magnetic fields of boost inductors **506a** and **506b**. At the same time, DC/DC power stage **508** draws current i_{DC} from the serially connected storage capacitors **504** and **505**. When the switch in DC/DC power stage **508** opens (FIG. **9(b)**), current i_{DC} falls to zero. Simultaneously, voltages v_{D1} and v_{D2} across dither sources **507a** and **507b** change sign (i.e., $v_{D1}=V_{D1min}<0$ and $v_{D2}=V_{D2min}<0$), thus increasing the total voltage opposing the line voltage. Consequently, the sum of voltages v_{L1} and v_{L2} across boost inductors **506a** and **506b** (i.e., $v_{L1}+v_{L2}=v_{in}-|V_{D1min}+V_{D2min}|-V_{C1}-V_{C2}$) becomes negative, thus decreasing the line current i_{in} and transferring the energy stored in boost inductors **506a** and **506b** to storage capacitors **504** and **505**.

The operation of S²ICS converter **500** during a negative half cycle of the line voltage, in the conventional full-bridge rectifier mode, is similar to the corresponding operation during a positive half cycle of the line voltage, described above in conjunction with FIGS. **9(a)** and **9(b)**, except that during a negative half cycle of the line voltage, rather than rectifiers **109a** and **109c**, rectifiers **109b** and **109c** conduct line current i_{in}

Since windings **614** and **615** within dither sources **507a** and **507b** are magnetically coupled to the transformer windings in DC/DC power converter stage **508**, windings **614** and **615** can be used to directly transfer energy from the input terminals to the load. Winding **614** provides direct energy transfer with the forward-type DC/DC power stages. The amount of the directly transferred energy is proportional to the ratio of the difference between half the number of turns N_p of the primary winding and the number of turns N_1 of winding **614**, to half the number of turns N_p of the primary winding (i.e., $(N_p/2-N_1)/(N_p/2)$). If the number of turns N_1 of winding **614** is equal to half the number of turns N_p of the primary winding, no energy is directly transferred from the input to the output, which reduces the conversion efficiency.

As the number of turns N_1 of winding **614** decreases (i.e., $N_1<N_p/2$), the harmonic content of the line current increases. Therefore, the selection of ratio $N_1/(N_p/2)$ is based on a trade-off between the conversion efficiency and the line-current harmonic content. Winding **615** provides direct energy transfer with the flyback-type DC/DC power stages. The amount of the directly transferred energy is proportional to the ratio of the number of turns N_2 of winding **615** to half the number of turns N_p of the primary winding (where, $N_2<N_p/2$). Clearly, when the number of turns N_2 of winding **615** is equal to zero, no energy is directly transferred from the input to the output, which reduces the conversion efficiency. Conversely, as the number of turns N_2 of winding **615** increases and more energy is directly transferred from input to output, the output-voltage ripple at the rectified line frequency increases, because the directly transferred energy from input to output contains a strong second harmonic of the line voltage. Therefore, the selection of ratio $N_2/(N_p/2)$ is based on a trade-off between the conversion efficiency and the output voltage ripple.

A variation of S²ICS converter **500** of FIG. **5** is converter **1000**, which is shown in FIG. **10**. In converter **1000**, a single boost inductor **506** is placed on the AC side of full-bridge rectifier **101**, instead of having two boost inductors **506a** and **506b** on the DC side of full-bridge rectifier **101**, as in converter **500** of FIG. **5**. In converter **1000**, the ICS cells are distributed since AC-side boost inductor **506** and dither sources **507a** and **507b** are physically separated by full-bridge rectifier **101**. Unlike converter **500**, in converter **1000**, input voltage source **510** sees the same boost inductance at both the low line-range (i.e., when range-select switch **503** is closed) and the high line-range (i.e., when range-select switch **503** is open). In contrast, in converter **500**, the boost inductance seen by input voltage source **510** at the high-line range is twice the boost inductance seen by input voltage source **510** at the low line-range.

Converters **1202** and **1204** in FIGS. **12(b)** and **12(d)** are exemplary converters implementing converter **1000**, using a forward DC/DC converter stage with dither CCM voltage sources **604** of FIG. **6(d)** (with the number of turns N_2 of winding **615** equal to zero), and a flyback DC/DC converter stage with dither CCM voltage/current sources **605** of FIG. **6(e)** (with the number of turns N_2 of winding **615** equal to zero), respectively.

Another variation of S²ICS converter **500** of FIG. **5** is converter **1100**, which is shown in FIG. **11**. In converter **1100**, boost inductors **506a** and **506b** are implemented as coupled inductors using a single core. The leakage inductance of the coupled boost inductors **506a** and **506b** of converter **1100** in FIG. **11** acts as a high-frequency, common-mode electromagnetic interference (EMI) choke which helps in reducing the EMI noise. Converters **1201** and **1203** in FIGS. **12(a)** and **12(c)** are exemplary converters

implementing converter **1100**, using a forward DC/DC converter stage with dither DCM sources **601** of FIG. **6(a)** with the number of turns N_2 of windings **615** equal to the number of turns N_1 of windings **614**, and a flyback DC/DC converter stage with dither CCM current sources **602** of FIG. **6(b)** (with the number of turns N_2 of winding **615** equal to zero), respectively.

FIG. **13** shows another embodiment of the present invention in S²ICS converter **1300**. As shown in FIG. **13**, converter **1300** has a voltage-doubler front-end and 3-terminal ICS cells **1301a** and **1301b**. Each of 3-terminal ICS cells **1301a** and **1301b** includes a boost inductor (e.g., boost inductor **506a**) and a 3-terminal dither source (e.g., dither source **1307a**) connected in series. Unlike dither sources **507a** and **507b** in 2-terminal ICS cells **501a** and **502** of FIG. **5**, however, dither sources **1307a** and **1307b** in 3-terminal ICS cells **1301a** and **1301b** are each connected to DC/DC power stage **1308** at two connection points: terminals **520** and **522** for dither source **1301a** and terminals **521** and **523** for dither source **1301b**. In 2-terminal ICS cells **501a** and **502** of FIG. **5**, boost inductors **506a** and **506b** each charge and discharge through the same terminals, i.e., terminals **520** and **521**, respectively. In 3-terminal ICS cells **1301a** and **1301b** of FIG. **13**, boost inductors **506a** and **506b** each charge and discharge through two different terminals: boost inductor **506a** charges through terminal **522** and discharges through terminal **520**, and boost inductor **506b** charges through terminal **523** and discharges through terminal **521**.

Because of the different charging and discharging terminals of boost inductors **506a** and **506b** in 3-terminal ICS cells **1301a** and **1301b** of FIG. **13**, dither sources **1307a** and **1307b** are different from dither sources **507a** and **507b** in 2-terminal ICS cells **501a** and **501b** of FIG. **5** (shown in FIG. **6**). FIGS. **14(a)–14(g)** show 3-terminal dither sources **1401–1407** suitable for implementing dither source **1307a** of FIG. **13**. Dither sources suitable for implementing dither source **1307b** of FIG. **13** differ from dither sources **1401–1407** of FIGS. **14(a)–14(b)** by the polarity of the diodes and the polarity of windings **614** and **615** of the transformer in DC/DC converter stage **1308**. FIGS. **14(a)–14(g)** show, respectively, (a) DCM source **1401**, (b) CCM current source **1402**, (c) CCM current source **1403**, (d) CCM voltage source **1404**, (e) CCM voltage/current source **1405**, (f) CCM voltage/current source **1406**, and (g) CCM resonant source **1407**.

Unlike converter **500** of FIG. **5**, however, converter **1300** of FIG. **13** can include as DC/DC converter stage **1308** only a single-ended DC/DC converter stage such as forward converter **1501** and flyback converter **1502**, shown in FIGS. **15(a)** and **15(b)**, respectively. As shown in FIGS. **15(a)** and **15(b)**, because of the required symmetry of DC/DC converter stage **1308** (i.e., coupling to 3-terminal ICS cells **1301a** and **1301b** substantially identically), the primary winding of transformer **1504** is split in half (i.e., divided between two identical windings **1505a** and **1505b**) and primary switch **702** is connected between windings **1505a** and **1505b**.

Windings **614** and **615** within dither sources **1307a** and **1307b** reduce the voltage of storage capacitors **504** and **505**. When boost inductors **506a** and **506b** charge, the voltage across windings **614** opposes the rectified line voltage. To keep the same volt-second product across boost inductors **506a** and **506b**, a larger duty cycle is necessary, which results in reduced voltage across storage capacitors **504** and **505**. When boost inductors **506a** and **506b** discharge, the voltage across windings **615** is in the same direction as the voltage across storage capacitors **504** and **505**. Therefore,

windings **615** effectively increase the reset voltage across boost inductors **506a** and **506b**. However, because each of boost inductors **506a** and **506b** in 3-terminal ICS cells **1301a** and **1301b** charges and discharges through different terminals, converter **1300** of FIG. **13** operates even when the number of turns N_1 and the number of turns N_2 of windings **614** and **615**, respectively, within dither sources **1307a** and **1307b** are zero.

FIGS. **16(a)–16(d)** and **17(a)–17(d)** show, respectively, the operation modes of S²ICS converter **1300** of FIG. **13** at a low line-range (i.e., connected to the 100/120 V AC power line) and at a high line-range (i.e., connected to the 220/240 V AC power line). In low line-range operations (i.e., FIGS. **16(a)–16(d)**), range-select switch **503** is closed and the front end of converter **1300** operates in the voltage-doubler mode. Under the voltage-doubler mode, diode **109a**, boost inductor **506a**, and dither source **1307a** are active during a positive half cycle of the line voltage (i.e., voltage $v_{in} > 0$), and diode **109c**, boost inductor **506b**, and dither source **1307b** are active during a negative half cycle of the line voltage (i.e., voltage $v_{in} < 0$).

As shown in FIG. **16(a)**, during a positive half cycle of the line voltage, with the switch in DC/DC power stage **1308** (e.g., switch **702** of FIG. **15**) closed, voltage $v_{D1(XZ)}$ across dither source **1307a**, between terminals **524** and **522**, is positive (given by $V_{D1(XZ)} = V_{D1(XZ)} - (V_{C1} + V_{C2}) / 2$), opposing the line voltage. If the instantaneous line voltage is larger than the voltage between terminals **524** and **526** (given by $v_{XW} = V_{D1(XZ)} + (V_{C1} - V_{C2}) / 2 = V_{D1(XZ)}$), then voltage v_{L1} across boost inductor **506a** (given by $v_{L1} = v_{in} - V_{D1(XZ)} - (V_{C1} - V_{C2}) / 2 = v_{in} - V_{D1(XZ)}$) is positive and line current i_{in} increases. The increased line current i_{in} stores energy in boost inductor **506a**. (Line current i_{in} cannot flow until the instantaneous line voltage is smaller than the voltage across terminals **524** and **526**, thereby resulting in a distortion of the line current around zero crossing.) At the same time, input current i_{DC} into DC/DC power stage **1308** is provided by storage capacitors **504** and **505**. When the switch in DC/DC power stage **1308** opens (FIG. **16(b)**), input current i_{DC} into DC/DC power stage **1308** falls to zero, and voltage $v_{D1(XY)}$ across terminals **524** and **520** becomes positive, thereby increasing the total voltage opposing the line voltage. Consequently, voltage v_{L1} across boost inductor **506a** (given by $v_{L1} = v_{in} - V_{D1(XY)} - V_{C1}$) becomes negative, current i_{in} decreases, and boost inductor **506a** discharges. During the discharging period of boost inductor **506a**, the energy stored in the magnetic field of boost inductor **506a** is transferred to storage capacitor **504**.

During a negative half cycle of the line voltage, S²ICS converter **1300** operates in a similar manner as during a positive half cycle, except that diode **109c**, boost inductor **506b**, and dither source **1307b** are active, as illustrated in FIGS. **16(c)** and **16(d)**.

When S²ICS converter **1300** of FIG. **13** operates in the high-voltage range (i.e., from the 220/240 V AC power line), range-select switch **503** is open and the front-end portion of converter **500** operates as a conventional full-bridge rectifier. As shown in FIGS. **17(a)–(d)**, when operating in the conventional full-bridge-rectifier mode, boost inductors **506a** and **506b**, dither sources **1307a** and **1307b** and storage capacitors **504** and **505** are connected in series.

As shown in FIG. **17(a)**, during a positive half cycle of the line voltage with the switch in DC/DC power stage **1308** (e.g., switch **702** of FIG. **15**) closed, voltage $v_{D1(XZ)}$ across dither source **1307a** between terminals **524** and **522**, and voltage $v_{D2(ZX)}$ across dither source **1307b** between termi-

nals **523** and **525** are positive, opposing the line voltage. If the instantaneous line voltage is larger than the voltage between terminals **524** and **525** (given by $v_{xx}V_{D1(xz)}+V_{D2(zx)}$), then the sum of voltages v_{L1} and v_{L2} across boost inductors **506a** and **506b**, i.e., $v_{L1}+v_{L2}=V_{in}-(V_{D1(xz)}+V_{D2(zx)})$, is positive and line current i_{in} through boost inductors **506a** and **506b** increases. (Line current i_{in} cannot flow until the instantaneous line voltage is smaller than the voltage between terminals **524** and **525**, which results in a distortion of the line current around zero crossing.) Consequently, energy is stored in the magnetic fields of boost inductors **506a** and **506b**. At the same time, DC/DC power converter stage **1308** draws current i_{DC} from the serially connected storage capacitors **504** and **505**. When the switch in DC/DC power stage **1308** opens (FIG. **17(b)**), input current i_{DC} into DC/DC power stage **1308** falls to zero, and, in addition, voltage $v_{D1(xy)}$ across dither source **1307a** between terminals **524** and **520**, and voltage $v_{D2(yx)}$ across dither source **1307b** between terminals **521** and **525**, become positive, increasing the total voltage opposing the line voltage. Consequently, the sum of voltages v_{L1} and v_{L2} across boost inductors **506a** and **506b**, i.e., $v_{L1}+v_{L2}=v_{in}-(V_{D1(xy)}+V_{D2(yx)})-(V_{C1}+V_{C2})$, becomes negative, thus decreasing the line current and causing the energy stored in boost inductors **506a** and **506b** to be transferred to storage capacitors **504** and **505**.

The operation of S²ICS converter **1300** during a negative half cycle of the line voltage and in the conventional full-bridge rectifier mode is similar to the corresponding operation during a positive half cycle of the line voltage, described above in conjunction with FIGS. **17(a)** and **17(b)**, except that during a negative half cycle of the line voltage, rather than rectifiers **109a** and **109d**, rectifiers **109b** and **109c** conduct line current i_{in} .

Since windings **614** and **615** within dither sources **1307a** and **1307b** are magnetically coupled to the transformer windings in DC/DC power stage **1308**, windings **614** and **615** can be used to directly transfer energy from the input terminals to the load. Winding **614** provides direct energy transfer with the forward DC/DC power stage. The amount of the directly transferred energy is proportional to the ratio of the number of turns N_1 of winding **614** to half the number of turns N_p of the split primary winding (where, $N_2 < N_p/2$). If the number of turns N_1 of winding **614** is zero, no energy is directly transferred from the input to the output, which reduces the conversion efficiency. As the ratio $N_1/(N_p/2)$ increases, the harmonic content of the line current increases. Therefore, the selection of the ratio $N_1/(N_p/2)$ is based on a trade-off between the conversion efficiency and the line-current harmonic content. Winding **615** provides direct energy transfer from the input to the load, through the flyback DC/DC power stage, in a manner similar to S²ICS converter **500** of FIG. **5** with 2-terminal ICS cells.

Windings **614** and **615** of dither sources **1307a** and **1307b** can each be implemented either as additional transformer windings (as shown in FIGS. **14(a)**–**14(g)**) or as portions of the split primary winding of the transformer in DC/DC power stage **1308**, by using a tapping technique. For example, FIGS. **18(a)** and **18(b)** show converters **1801** and **1802**, which implement converter **1300** of FIG. **13** by combining DCM dither sources **1401** of FIG. **14(a)** and forward DC/DC power stage **1501** of FIG. **15(a)**. Specifically, in FIG. **18(a)**, windings **614a**, **615a**, **614b**, and **615b** of dither sources **1307a** and **1307b** are implemented as additional windings coupled to transformer **1504**. In FIG. **18(b)**, windings **614a**, **615a**, **614b**, and **615b** of dither sources **1307a** and **1307b** are implemented as portions of

split primary windings **1505a** and **1505b**, using tapping. Converters **1801** and **1802** each require the same number of pins of transformer **1504**. However, since the implementation of transformer **1504** in FIG. **18(b)** does not require additional windings, the construction of transformer **1504** in FIG. **18(b)** is simpler than the construction of the corresponding transformer in FIG. **18(a)**.

As mentioned above, the boost inductor or inductors in a S²ICS converter of the present invention can be placed on the AC side of the rectifier bridge (i.e., rectifiers **109a**–**109d**) as a single boost inductor **506**, or DC-side boost inductors **506a** and **506b** can be coupled by winding them on the same magnetic core. FIGS. **19(a)**–**19(d)** show converters **1901**–**1904**, implementing S²ICS converter **1300** of FIG. **13**. Converters **1901**–**1904** combine selected dither sources **1401**–**1407** shown in FIGS. **14(a)**–**14(g)** (choosing zero turns for winding **615**) with forward and flyback DC/DC converter stages **1501** and **1502** from FIG. **15**. Specifically, converters **1901** and **1903** are exemplary converters implementing converter **1300** with coupled DC-side boost inductors, combining forward DC/DC converter stage **1501** of FIG. **15(a)** with tapped primary winding and dither DCM sources **1401** of FIG. **14(a)**, and combining flyback DC/DC converter stage **1502** of FIG. **15(b)** with tapped primary winding and dither CCM current sources **1403** of FIG. **14(c)**, respectively. Converters **1902** and **1904** are examples implementing converter **1300** with AC-side boost inductor **506**, combining forward DC/DC converter stage **1501** of FIG. **15(a)** with tapped primary winding and dither CCM voltage sources **1404** of FIG. **14(d)**, and combining flyback DC/DC converter stage **1502** of FIG. **15(b)** with tapped primary winding and dither CCM voltage/current sources **1405** of FIG. **14(e)**, respectively. In FIGS. **19(a)**–**19(d)**, because the number of turns N_2 of windings **615** is selected to be zero, transformer **1504** has only one tapping on each portion **1505a** and **1505b** of the split primary winding.

FIG. **20** shows converter **2000**, implementing converter **1802** of FIG. **18(b)** with a reduced number of components. In converter **2000**, the two tapping points of each portion **1505a** and **1505b** of the split primary winding of transformer **1504** are shorted. Consequently, the sum of turns N_1 and N_2 of windings **614** and **615** in dither DCM source **1401** of FIG. **14(a)** is equal to half the number of turns N_1 of the primary winding of transformer **1504** (i.e., $N_1+N_2=N_p/2$).

Generally, S²ICS converters of the present invention with 2-terminal and 3-terminal ICS cells provide comparable performance. Differences between the S²ICS converters with 2-terminal and 3-terminal ICS cells relate to transformer design and control implementation. A 2-terminal ICS cell in converter **500** of FIG. **5** requires at least one additional transformer winding (i.e., winding **614** in FIGS. **6(a)**–**6(g)**) in each of dither sources **507a** and **507b**, compared to a 3-terminal ICS cell in converter **1300** of FIG. **13** with a dither source implemented by tapping the split primary winding (see, for example, FIG. **18(b)**). However, a tapped transformer with a non-zero number of turns N_1 in dither sources **1307a** and **1307b** of converter **1300** in FIG. **13** requires one additional pin compared to the transformer in converter **500** of FIG. **5**. For example, converters **1201**–**1204** with 2-terminal ICS cells in FIG. **12** each have a transformer with five pins on the primary side, while the corresponding converters **1901**–**1904** with 3-terminal ICS cells in FIG. **19** each have a transformer with six pins on the primary side. Consequently, the transformer in converter **500** of FIG. **5** may be larger than the corresponding transformer in converter **1300** of FIG. **13**, whereas the transformer in converter **1300** of FIG. **13** may require a custom

made bobbin. Further, in converter **1300** of FIG. **13** with 3-terminal ICS cells, the switch in DC/DC power stage **1308** (e.g., switch **702** in FIG. **15**) and storage capacitor **505** do not have the same reference voltage, which may affect the switch driver circuit and the control feedback circuit by requiring additional signal isolation.

In all implementations of converter **500** in FIG. **5** and converter **1300** in FIG. **13** that use current-type dither sources (i.e., dither sources with inductor **612** in FIGS. **6** and **14**), inductors **612a** and **612b** can be wound on the same core. For example, FIGS. **21(a)** and **21(b)** show converters **2101** and **2102**, which implement converter **500** of FIG. **5** and converter **1300** of FIG. **13**, respectively, having dither current sources **507a** and **507b**, and **1307a** and **1307b**. Each of dither current sources **507a** and **507b** is an implementation of dither CCM current source **603** of FIG. **6(c)**, with number of turns N_2 of winding **615** set to zero. Similarly, each of dither current sources **1307a** and **1307b** is an implementation of dither CCM current source **1403** of FIG. **14(c)**, implementing winding **614** by tapping the split primary winding and setting number of turns N_2 of winding **615** to zero. In each of converters **2101** and **2102**, dither-current-source inductors **612a** and **612b** are implemented as coupled inductors.

The performance of the proposed S²ICS approach of the present invention was verified experimentally using converter **2200** of FIG. **22**. Converter **2200** is a 100-W (5 V/20 A) converter for the universal-line range (i.e., 90–264 V AC). The components used to build converter **2200** are noted on the circuit schematic in FIG. **22**. A low-cost integrated controller (UC3842) was used to control converter **2200**. Throughout the entire line-voltage and load ranges, a constant switching frequency of 100 kHz was applied. Table I summarizes the measured performance of converter **2200** at full load and at different line voltages. As shown in Table I, the power factor (PF) in the entire line range was between 0.88 and 0.9, whereas the total harmonic distortion (THD) was less than 50%. In addition, the measured individual line-current harmonics in converter **2200** were well below the IEC1000-3-2 limits (more than 30% margin) for both the low line-range and high line-range. Also, as shown in Table I, at the full load, the maximum storage capacitor voltage $V_c = V_{C1} + V_{C2}$, i.e., the total voltage across capacitors **504** and **505**, was measured to be 368 V, occurring at $V_{in} = 264$ V AC. The conversion efficiency at the full load was in the 77%–79% range.

TABLE I

| Measured Performance (PF - Power Factor; THD - Total Harmonic Distortion; $V_c = V_{C1} + V_{C2}$ - bulk-capacitor voltage; and η - conversion efficiency) at full load ($V_o = 5$ V, $I_o = 20$ A) and at different line voltages V_{in} . | | | | |
|---|-------|---------|-----------|------------|
| V_{in} [V _{rms}] | PF | THD [%] | V_c [V] | η [%] |
| 90 | 0.900 | 46.4 | 244 | 77.3 |
| 100 | 0.899 | 47.2 | 273 | 77.4 |
| 115 | 0.896 | 48.3 | 316 | 77.3 |
| 132 | 0.893 | 49.3 | 364 | 76.9 |
| 180 | 0.897 | 48.0 | 250 | 79.2 |
| 230 | 0.891 | 48.9 | 320 | 78.4 |
| 264 | 0.885 | 49.6 | 368 | 77.8 |

The above detailed description is provided to illustrate specific embodiments of the present invention and is not intended to be limiting. Numerous modifications and variations within the scope of the present invention are possible. The present invention is set forth in the following claims.

We claim:

1. A single-stage input current shaping (S²ICS) converter coupled to receive a line voltage, comprising:

a front-end stage receiving said line voltage, including:

- (a) a full-bridge rectifier;
- (b) one or more boost inductors;
- (c) first and second dither sources each coupled in series with one of said boost inductors; and
- (d) first and second storage capacitors, coupled to said full-bridge rectifier in a voltage-doubler configuration and coupled respectively to said first and second dither sources, such that each of said first and second capacitors is charged by one of said boost inductors for storing energy for output; and

a DC/DC power converter stage, coupled to both said storage capacitor and said dither source, to transfer said energy stored in said storage capacitor to an output load.

2. An S²ICS converter as in claim 1, wherein said DC/DC converter stage comprises a full-bridge converter.

3. An S²ICS converter as in claim 1, wherein said one of said inductors is coupled between said line voltage and said full-bridge rectifier.

4. An S²ICS converter as in claim 1, wherein said DC/DC converter stage is controlled by a switch, such that said DC/DC converter draws a current from said storage capacitor when said switch is closed.

5. An S²ICS converter as in claim 4, wherein said boost inductor stores energy in its magnetic field while said switch is closed.

6. An S²ICS converter as in claim 4, wherein said one or more boost inductors charge said first and second storage capacitors when said switch is open.

7. An S²ICS converter as in claim 1, wherein each of said first and second dither sources include a first path for charging one of said boost inductors and a second path for discharging said one of said boost inductors, said first and second paths each including a series connection of a transformer winding and at least one of the following components: a diode, an inductor, and a capacitor; and wherein said DC/DC power converter stage includes a transformer inductively coupled to said transformer windings of said first path and said second path of said dither source.

8. An S²ICS converter as in claim 7, wherein said first path and said second path of said dither source are connected in parallel, such that said dither source includes a first terminal coupled to said one of said boost inductors and a second terminal coupled to both one of said first and second storage capacitors and said DC/DC converter stage, said transformer winding of said first path of said dither source being coupled to generate a voltage in opposition to the voltage across said one of said first and second capacitors, when said switch of said DC/DC converter is closed, and said transformer winding of said second path of said dither source is coupled to generate a voltage of the same direction as the voltage across said one of said first and second capacitors when said switch of said DC/DC converter is open.

9. An S²ICS converter as in claim 7, wherein said first path and said second path of said dither source are coupled at one terminal to said one of said boost inductors, such that said dither source has a first terminal being coupled to said one of said boost inductors a second terminal, being the second terminal of said second path of said dither source, coupled to both one of said first and second storage capacitors and said DC/DC converter stage, and a third terminal, being the second terminal of said first path of said dither

17

source, coupled to any pulsating node of said DC/DC converter stage, said transformer winding of said first path of said dither source being coupled to generate a voltage in opposition to said rectified line voltage, when said switch of said DC/DC converter is closed, and said transformer winding of said second path of said dither source being coupled to generate a voltage in opposition to said rectified line voltage when said switch of said DC/DC converter is open.

10. An S²ICS converter as in claim 9, wherein said transformer windings of said first path and said second path of said dither source being provided by tapping a primary winding of said transformer of said DC/DC converter stage.

11. An S²ICS converter as in claim 1, wherein said DC/DC converter stage comprises a flyback converter.

12. An S²ICS converter as in claim 1, wherein said DC/DC converter stage comprises a half-bridge converter.

18

13. An S²ICS converter as in claim 1, further comprising a range-select switch coupled between said full-bridge rectifier and the common terminal of said first and second storage capacitors for activating a voltage-doubling operation when said range-select switch is closed.

14. An S²ICS converter as in claim 13, wherein said first and second boost inductors are inductively coupled.

15. An S²ICS converter as in claim 13, wherein an inductor of said first dither source and an inductor of said second dither source are inductively coupled.

16. An S²ICS converter as in claim 1, wherein said DC/DC converter stage comprises a forward converter.

* * * * *